



CO-100

Standalone Electronic Lock



Overview

The CO Series provides ideal solutions for customers seeking the added security and convenience of electronic access control without the cost or complexity of a fully networked system. Within this group is CO-100, a standalone lock that is manually programmable. User rights are stored on the lock with unique PIN codes assigned to each user. This minimizes the number of mechanical keys issued which protects the integrity of your key system. PIN codes can be easily added or deleted at anytime, right at the door.

The CO-100 from Schlage is versatile enough to use anywhere. In the classroom/storeroom function, it is rated full outdoor and can be used for gate or breezeway access. CO-100 privacy function locks can be programmed to show occupancy indication for applications such as dressing areas or bathrooms. And office/classroom function locks can be set up for remote release making them perfect for vestibules or waiting rooms.

Cylindrical, mortise, mortise deadbolt, and exit trim chassis options are available. The series is compatible with many popular brands of exit devices and offered in a wide variety of finishes and levers to suite with your existing hardware. Mechanical key override is standard and compatible with multiple cylinder types.

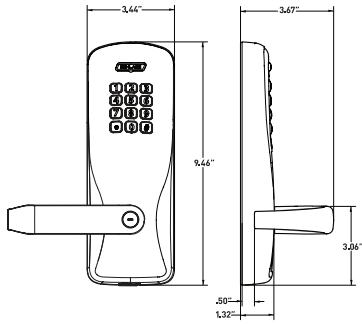
CO Series has been tested to the highest standards in the industry to ensure the quality and reliability you have come to expect from Schlage. The CO Series is ANSI/BHMA A156.25 (full outdoor¹), ANSI/BHMA Grade 1 certified and UL 294 Listed.

Features & Benefits

- Manually programmable
- Up to 500 unique 3-6 digit PIN codes stored on the lock
- ANSI/BHMA A156.25 (full outdoor¹), ANSI/BHMA Grade 1 certified, UL 294 and UL 10C listed, hurricane wind and impact rated²
- Storeroom, office/classroom and privacy functions available
- Chassis options include cylindrical, mortise, mortise deadbolt and exit trim
- Compatible with most major brands of key systems and exit devices
- Hard wired, remote release push button capability³
- Programmable option for lighted occupancy indication⁴
- Three levels of user authority
- Normal, toggle, pass through, and freeze credential attributes available
- LED indicator visually communicates lock status
- Fully outdoor rated in 70 function for use on pool gates and breezeways

1. Applies to 70 function only.
2. Applies to cylindrical and mortise chassis only.
3. Available on office function locks manufactured after 1/1/2018 with firmware version 2.6.2 or higher.
4. Available on privacy function locks manufactured after 9/30/2018 with firmware version 2.7.0 or higher.

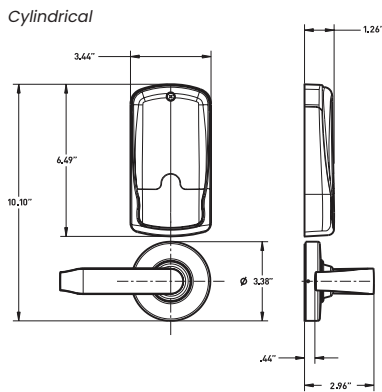
Exterior



CO-100 Electronic Lock Specifications

Users	500
Credential verification time (keypad only)	≤ 1 second
Visual/audible communications	Tri-colored LED's and audible indicators
Power supply	4 AA batteries (standard off the shelf: included)
Battery life	Up to 2 yrs with 4 AA batteries
Operating temperature	Exterior: -31° to 151°F (-35° to 66°C) Interior: -31° to 151°F (-35° to 66°C)
Operating humidity	0 - 100% non-condensing
Certifications	ANSI/BHMA A156.25 (full outdoor ¹); ANSI/BHMA Grade 1; UL 294; ULC S319; UL 10C 3 hour; FCC Part 15; Industry Canada (IC); ADA compliant Cylindrical and mortise chassis only: TDI DR-464, DR-465; FL12400, FL4613, FL1592, FL13013, FL14482 Mortise chassis only: FL3905

Interior



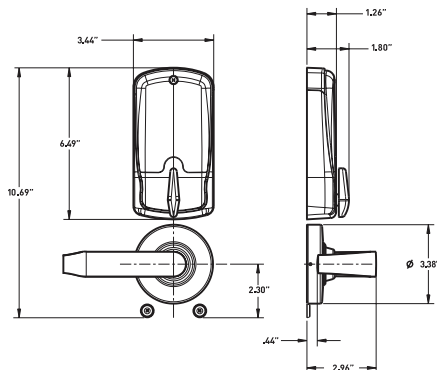
Functions

- Storeroom
- Office/classroom
- Privacy

Standard Status Signals

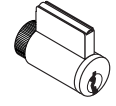
- Battery status - indicated by flashing LED lights
- Access granted/access denied
- Programming commands
- Occupied - indicated by red LED light (privacy function only)

Mortise deadbolt

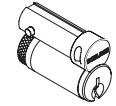


1. Applies to 70 function only.

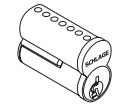
Mechanical Specifications			
Chassis	Cylindrical	Mortise	Exit trim
Handing	Handed to order, field reversible		
ANSI standard (Meets or exceeds)	A156.25 A156.2 Series 4000 Grade 1	A156.25 A156.13 Series 1000 Grade 1	A156.25 A156.3
Door thickness	1-3/4" standard, 1-3/8" to 2-3/4" optional (available in 1/8" increments)		
Backset	Standard: 2-3/4" Optional: 2-3/8", 3-3/4", 5"	2-3/4" only	Defined by exit device
Latch bolt	Standard: 1/2" throw Optional: 3/4" throw	Standard: 3/4" throw Optional: 1" throw on mortise deadbolt	Provided by exit device
Levers	Pressure cast zinc, plated		
Strike	Standard: 1-3/16" lip, ANSI, 1-1/4" x 4-7/8" Optional: Additional configurations available please see price book		Provided by exit device
Cylinder and keys	Schlage 6-pin Everest 29 S123 keyway Conventional cylinder with two patented keys standard. Additional options available including SFIC, FSIC and competitor brands. See Lever & Cylinder Compatibility Data Sheet		
Exit device compatibility	See CO Series Exit Trim Compatibility Data Sheet		



Conventional cylinder



Full Size Interchangeable Core



Small Format Interchangeable Core

Programming and Use Options		
Function code	User level	Description
PIN ¹	Basic	Unlocks the lock momentarily when in a normally secured state.
Programming	Manager/administrator	Initiates all programming actions (can be changed by administrator)
User changes	Manager/administrator	Assigns or deletes user PINs for the lock
Toggle	Manager/administrator	Changes the lock to an unlocked state and back when desired
Freeze	Administrator	Maintains the lock in current state until code is re-entered (cannot be toggled)
Pass through	Administrator	Unlocks the lock momentarily regardless of current state
Other	Administrator	Includes change relock delay period; change PIN length; disable/enable beeper; disable/enable remote release ² ; disable/enable LED occupancy indication ³

1. Credentials can be 3-6 digits in length.
2. Remote release feature available on office function only.
3. Occupancy indication feature available on privacy function only.

Ordering Information

Available through one of our GSA schedule 84 approved distributions.

Required fields								Factory defaults and options																
CO	-	100	-	CY	-	70	-	KP	-	SPA	-	626	-	P6	-	S123	-	RH	-	13-247	-	10-025	-	134
Series		Class		Chassis		Function		Reader		Lever Style		Finish		Key Cylinder		Keyway		Handing		Backset & Latch or Armored Front		Strike		Door Thickness
1		2		3		4		5		6		7		8		9		10		11		12		13

Standard options are indicated with a dot. See price book for specific configuration options.

3 Chassis	
CY	Cylindrical
MS	Mortise
MD	Mortise deadbolt
993R	Exit trim – Rim/CVC/CVR
993S	Exit trim – SVR
993M	Exit trim – mortise
993DT	Dummy exit trim
4 Function	
40	Privacy
50	Office/classroom
70	Storeroom
5 Reader	
• KP	Keypad
6 Lever	
ATH	Athens
BRK	Boardwalk
BRW	Broadway
LAT	Latitude
LON	Longitude
RHO	Rhodes
SPA	Sparta
TLR	Tubular
Available with tactile warning options.	
7 Finish	
605	Bright Brass
606	Satin Brass
612	Satin Bronze
619	Satin Nickel
625	Bright Chrome
• 626	Satin Chrome
626AM	Satin Chrome Antimicrobial
643e	Aged Bronze

8 Key Cylinder	
• P6	Schlage 6-pin conventional key-in-lever cylinder
See price book for other SFIC, FSIC and less cylinder options available. Compatible with Schlage®, Sargent®, Corbin Russwin, Medeco® and Yale®.	
9 Keyway	
• S123	Everest 29
See price book for other available keyway options including restricted keyways in Primus XP high security cylinders and master keying.	
10 Handing	
• RH	Right handed
RHR	Right handed reverse
LH	Left handed
LHR	Left handed reverse

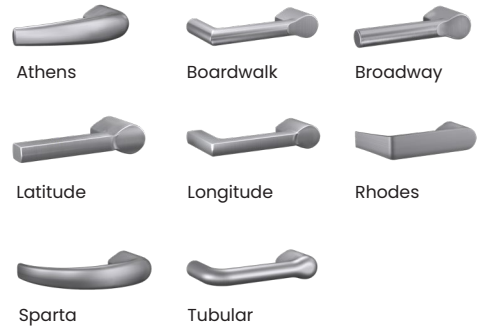
Field reversible.

11 Backset & Latch or Armored Front	
• 13-247	Cylindrical: 2-3/4" backset deadlatch, square corner, 1-1/8" x 2-1/4"
• 09-663	Mortise: Armor front, 1-1/4" wide, square corner
See price book for mortise deadbolt and other backset and latch options or armored front options.	
12 Strike	
• 10-025	Cylindrical: 1-3/16" lip, ANSI, no box, 1-1/4" x 4-7/8"
• 10-072	Mortise: 1-3/16" lip, 1-1/4" x 4-7/8" square corner, box

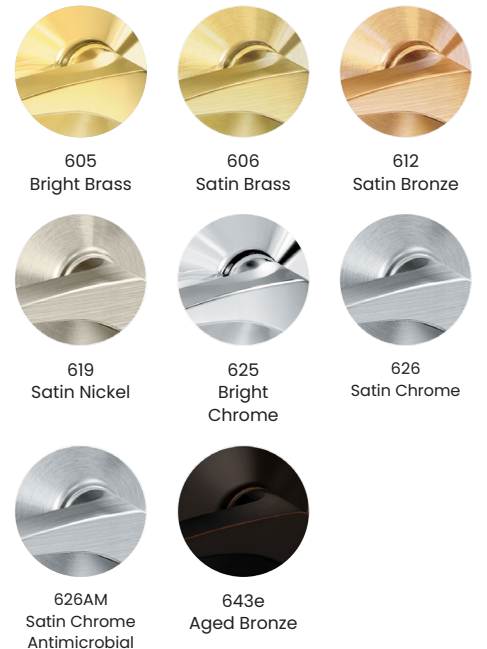
13 Door Thickness	
• 134	1-3/4"
Other thicknesses available between 1-3/8" and 2-3/4" See price book for details.	

Lever Styles

Conventional cylinders shown, SFIC and FSIC also available.



Finishes





CO-200

Standalone Electronic Lock



Overview

The CO Series is the ideal solution for customers seeking the added security and convenience of electronic access control without the cost or complexity of a fully networked system.

The CO-200 is computer or manually programmable with users rights stored on the lock. The Schlage Utility Software (SUS) mobile app on compatible Android devices is used in conjunction with your access control software and allows you to easily add or delete users and retrieve audits.

By issuing electronic credentials you can minimize the number of mechanical keys issued which protects the integrity of your key system. A variety of credential readers are also available, including keypad only, proximity, or proximity with keypad for dual authentication.

Cylindrical, mortise, mortise deadbolt, and exit trim chassis options are available as well as a wide variety of finishes and levers to suite with your existing hardware.

Mechanical key override is standard and compatible with multiple cylinder types. The CO Series is also compatible with many popular brands and types of exit devices.

The CO Series has been tested the highest standards in the industry to ensure quality and reliability you have come to expect from Schlage. The CO Series is ANSI/BHMA A156.25, ANSI/BHMA Grade 1 certified and UL 294 Listed.

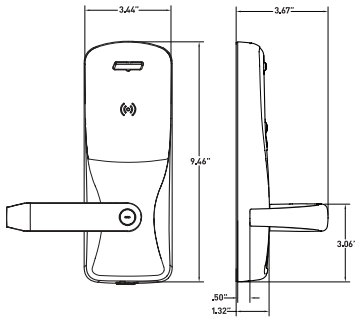
Features & Benefits

- Computer programmable with audit trail
- Up to 2,000 users and up to 2,000 audits¹
- Up to 32 holidays and 16 time zones¹
- User rights stored on the lock
- The ability to add and delete users at the lock
- Available in cylindrical, mortise, mortise deadbolt, and exit trim
- Compatible with major brands of key systems and exit devices
- Classroom/storeroom, office, and privacy functions available
- Programmable option for lighted occupancy indication²
- LED indicator visually communicates lock status
- Offline lockdown mode configurable with Inside Push Button (IPB)

1. Depending on access control software.

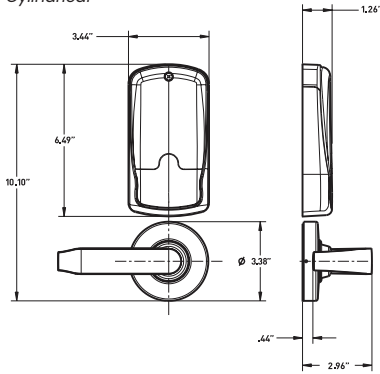
2. Available on privacy function locks manufactured after February 2019 with firmware version CO.A.30 or higher.

Exterior

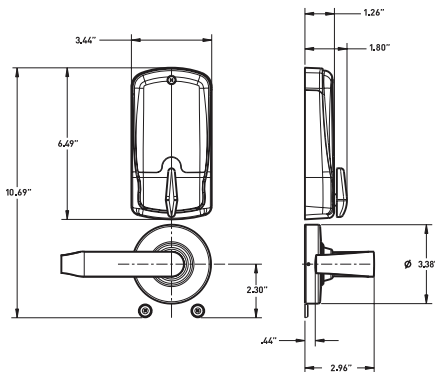


Interior

Cylindrical



Mortise deadbolt



CO-200 Electronic Lock Specifications

Users	Up to 2,000 ¹
Audits	Up to 2,000 ¹
Credential verification time	≤ 1 second
Visual/audible communications	Tri-colored LED's and audible indicators
Power supply	4 AA batteries (standard off the shelf; included)
Voltage range	4 VDC to 7 VDC
Battery life	Up to 2 yrs with 4 AA batteries
Operating temperature	Exterior: -31° to 151°F (-35° to 66°C) Interior: 32° to 120°F (0° to 49°C) due to batteries
Operating humidity	0 - 100% non-condensing
Certifications	ANSI/BHMA A156.25; ANSI/BHMA Grade 1; UL 294; ULC S319; UL 10C 3 hour; FCC Part 15; Industry Canada (IC); ADA compliant Cylindrical and mortise chassis only: TDI DR-464, DR-465; FL12400, FL4613, FL1592, FL13013, FL14482 Mortise chassis only: FL3905

Functions

- Storeroom²
- Office/classroom²
- Privacy³

Standard Status Signals

- Mechanical key override
- Battery status - indicated by flashing LED lights
- Access granted/access denied
- Programming commands
- Occupied - indicated by red LED light (privacy function only)

Schlage Utility Software

The Schlage Utility Software (SUS) mobile app on compatible Android mobile devices and SUS-A cable provides an easy way to manage people, audits and locks for simple access control management.

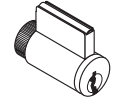
Schlage Utility Software

- Initialize lock and accessories
- Field configure devices
 - Credential reader formats
 - Lock function
 - Lockdown
 - Unlock period
 - Failure mode
 - Audible alarm on/off
- Service and diagnostics
 - Battery status
 - Validate hardware and software revision
 - Troubleshooting status signals
 - Firmware upgrades
- New device template simplifies configuration

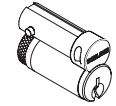


1. Depending on access control software.
 2. Storeroom and office/classroom function not available with mortise deadbolt option. To ensure safety, all functions always allow for free egress.
 3. Door position switch is required for cylindrical and mortise chassis with privacy function.

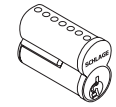
Mechanical Specifications			
Chassis	Cylindrical	Mortise	Exit trim
Handing	Handed to order, field reversible		
ANSI standard (Meets or exceeds)	A156.25 A156.2 Series 4000 Grade 1	A156.25 A156.13 Series 1000 Grade 1	A156.25 A156.3
Door thickness	1-3/4" standard, 1-3/8" to 2-3/4" optional (available in 1/8" increments)		
Backset	Standard: 2-3/4" Optional: 2-3/8", 3-3/4", 5"	2-3/4" only	Defined by exit device
Latch bolt	Standard: 1/2" throw Optional: 3/4" throw	Standard: 3/4" throw Optional: 1" throw on mortise deadbolt	Provided by exit device
Levers	Pressure cast zinc, plated		
Strike	Standard: 1-3/16" lip, ANSI, 1-1/4" x 4-7/8" Optional: Additional configurations available please see price book		Provided by exit device
Cylinder and keys	Schlage 6-pin Everest 29 S123 keyway Conventional cylinder with two patented keys standard. Additional options available including SFIC, FSIC and competitor brands. See Lever & Cylinder Compatibility Data Sheet		
Exit device compatibility	See CO Series Exit Trim Compatibility Data Sheet		



Conventional cylinder



Full Size Interchangeable Core



Small Format Interchangeable Core

Reader Specifications		
	Keypad	Proximity
Frequency standards	N/A	125 kHz
Maximum read range	N/A	up to 1.25"
Compatibility	3-6 digit pin code	Schlage, ISONAS®, HID ¹ , GE/CASI ProxLite™ and AWID®
Compatible Schlage credentials	N/A	125 kHz clamshell, ISO card, ISO card with magnetic stripe, keyfob, and PVC disc (7000 Series)
Style/layout	12-button, 3x4 matrix	Option for 12-button, 3x4 matrix

1. Proximity bit lengths greater than 37 not supported.

Available CO-200 Reader Options



Keypad



Keypad



Proximity

Ordering Information

Available through one of our GSA schedule 84 approved distributions.

Required fields								Factory defaults and options																
CO	-	200	-	CY	-	70	-	PR	-	SPA	-	626	-	P6	-	S123	-	RH	-	13-247	-	10-025	-	134
Series		Class		Chassis		Function		Reader		Lever Style		Finish		Key Cylinder		Keyway		Handing		Backset & Latch or Armored Front		Strike		Door Thickness
1		2		3		4		5		6		7		8		9		10		11		12		13

Standard options are indicated with a dot. See price book for specific configuration options.

3 Chassis	
CY	Cylindrical
MS	Mortise
MD	Mortise deadbolt
993R	Exit trim – Rim/CVC/CVR
993S	Exit trim – SVR
993M	Exit trim – mortise
993DT	Dummy exit trim
4 Function	
40	Privacy
50	Office/classroom
70	Storeroom
5 Reader	
• KP	Keypad
PR	Proximity
PRK	Proximity + keypad
6 Lever	
ATH	Athens
BRK	Boardwalk
BRW	Broadway
LAT	Latitude
LON	Longitude
RHO	Rhodes
SPA	Sparta
TLR	Tubular
7 Finish	
605	Bright Brass
606	Satin Brass
612	Satin Bronze
619	Satin Nickel
625	Bright Chrome
• 626	Satin Chrome
626AM	Satin Chrome Antimicrobial
643e	Aged Bronze

Available with tactile warning options.

8 Key Cylinder	
• P6	Schlage 6-pin conventional key-in-lever cylinder

See price book for other SFIC, FSIC and less cylinder options available. Compatible with Schlage®, Sargent®, Corbin Russwin, Medeco® and Yale®.

9 Keyway	
• S123	Everest 29

See price book for other available keyway options including restricted keyways in Primus XP high security cylinders and master keying.

10 Handing	
• RH	Right handed
RHR	Right handed reverse
LH	Left handed
LHR	Left handed reverse

Field reversible.

11 Backset & Latch or Armored Front	
• 13-247	Cylindrical: 2-3/4" backset deadlatch, square corner, 1-1/8" x 2-1/4"
• 09-663	Mortise: Armor front, 1-1/4" wide, square corner

See price book for mortise deadbolt and other backset and latch options or armor front options.

12 Strike	
• 10-025	Cylindrical: 1-3/16" lip, ANSI, no box, 1-1/4" x 4-7/8"
• 10-072	Mortise: 1-3/16" lip, 1-1/4" x 4-7/8" square corner, box

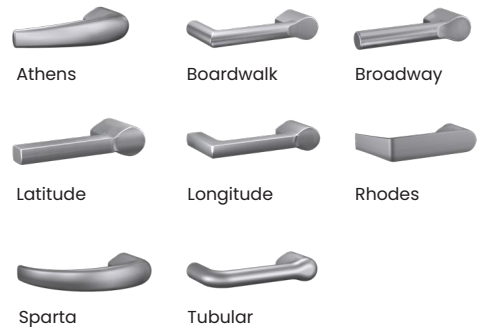
See price book for other available strikes.

13 Door Thickness	
• 134	1-3/4"

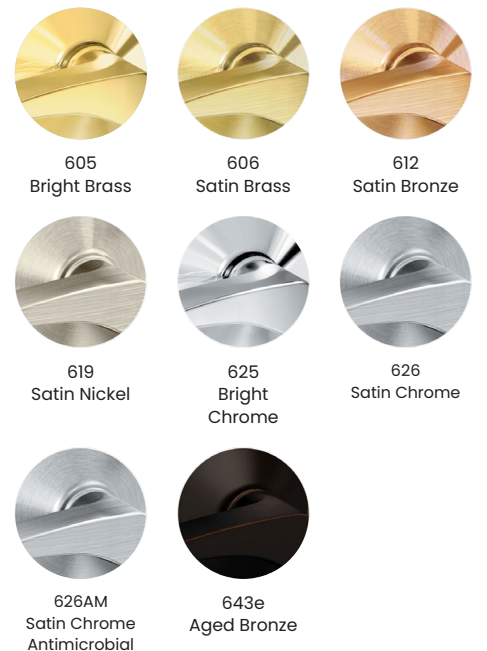
Other thicknesses available between 1-3/8" and 2-3/4" See price book for details.

Lever Styles

Conventional cylinders shown, SFIC and FSIC also available.



Finishes



Allegion, the Allegion logo, Schlage, the Schlage logo and Falcon are trademarks of Allegion plc, its subsidiaries and/or affiliates in the United States and other countries. All other trademarks are the property of their respective owners.



CO Series

Exit Trim Compatibility



Overview

The CO Series offers 993 exit trim for use with compatible exit devices in retrofit or new construction applications. The 993 exit trim was designed to suite with CO Series cylindrical and mortise locksets to ensure that the facility remains aesthetically consistent. The CO Series 993 Exit Trim utilizes universal hardware to simplify installation of offline trim to a variety of exit devices, including rim style from Von Duprin, Falcon, Sargent®, Precision™, Corbin Russwin®, Dorma® and Yale® .

Available Exit Trim Styles:

- 993R – Rim, concealed vertical rod or concealed vertical cable (CVR/CVC for metal doors only)
- 993S – Surface vertical rod
- 993M – Mortise
- 993DT – Non-functioning dummy trim for exit

Exit Device Compatibility	
Devices	CO-100/CO-200
Von Duprin 78 Rim/SVR/CVR ³	•
Von Duprin 98/99 and 98/99XP Rim/SVR/CVR ³ /CVC ³ /mortise	•
Von Duprin 22/22F Rim/SVR	•
Falcon 25 Rim	•
Sargent® 80 ⁴ Rim	•
Precision™ 21 Rim (2100 converts to 21 with Precision's BP21 kit)	•
Yale® 7000 Rim	•
Corbin Russwin® 5000 Rim	•
Dorma® 9300 Rim	•

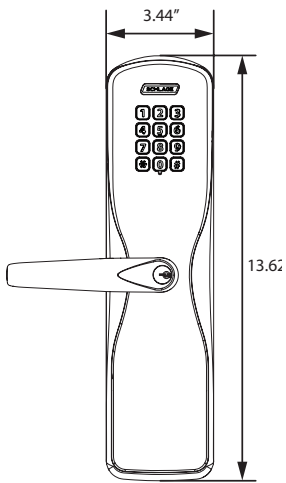
1. Excluding dummy trim devices (993DT).
 2. UL 294 does not apply to dummy trim devices (993DT).
 3. Metal door only.
 4. Narrow design and reversible Rim exits not compatible.

Features & Benefits

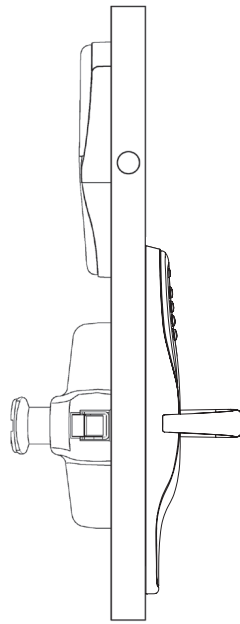
- Multiple credential reader options
- A wide variety of finishes and lever styles
- Powered by 4 AA batteries¹
- Compatible with all Schlage Conventional, FSIC and SFIC formatted cylinders including many competitive OEM cylinders such as Sargent®, Corbin Russwin®, Medeco® and Yale®
- UL 294 Listed, ANSI/BHMA A156.25, ANSI/BHMA Grade 1 certified²

Compatibility		
Reader options	CO-100	CO-200
KP keypad	●	●
PR proximity		●
PRK proximity + keypad		●

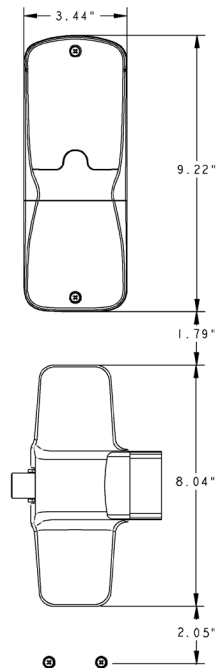
Programming Options		
Reader options	CO-100	CO-200
Computer		●
Manual	●	●



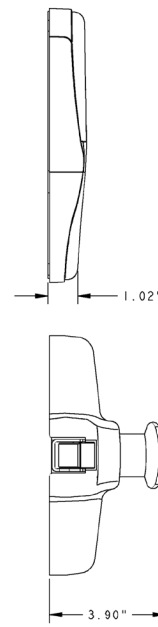
Exterior view
CO Series - 993 Exit Trim



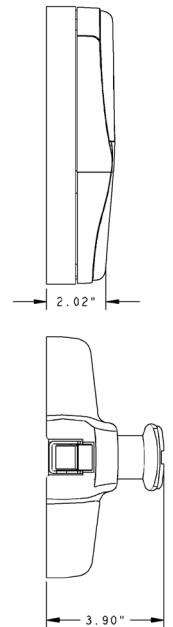
Profile view



Interior view
CO-100/200 - all styles



Side view
CO-100/200 - Rim/
CVR/CVC or mortise



Side view
CO-100/200 SVR

Note: (2) #7 fasteners with decorative washers located 11.88" below bottom edge of lock.



AD Series & CO Series

Lever & Cylinder Compatibility



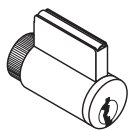
Overview

AD Series and CO Series electronic locks come standard with the Schlage® 6-pin Everest 29™ S123 keyway and two patented keys. The Everest 29 keyway's patentprotected undercut design with protection through 2029 is available in open and restricted keyway families. Patented restricted keyways, such as the Everest 29 R and T families, deliver a higher level of security by requiring authorization to access key blanks for duplication. Improve both administrative and physical security with the application of Primus XP cylinders and gain the option to also employ high-security UL 437 cylinders. The Everest 29 design enables a key blank that is backwards compatible to legacy Everest keyways allowing Everest 29 keys to work with existing Everest systems aiding the key system migration process.

The AD Series and CO Series can also be ordered with other popular Schlage keyways or prepared to receive Falcon® Conventional key-in-lever cylinders or Small Format Interchangeable Core (SFIC) cylinders. Less cylinder options are available to provide compatibility with Conventional, LFIC or SFIC cylinders of other manufacturers including, Sargent®, Corbin Russwin®, Medeco® and Yale®.

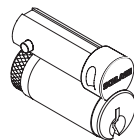
Features & Benefits

- The key-in-lever design of AD and CO Series fits a full range of Schlage cylinders featuring administrative security options from open to patented and patented restricted keyways
- Primus cylinder and key options provide enhanced physical security in the cylinder including a UL 437 listed high-security option and a patent protected key design with geographic exclusivity
- Levers are offered in a wide variety of finishes and styles
- Compatible with all Schlage Conventional, FSIC, SL (as Conventional and FSIC), and SFIC formatted cylinders including many competitive OEM cylinders
- SL cylinder option allows an Everest 29 R or legacy Everest B keyway facility to gain a Primus program level security
- AD and CO 993 exit trim is compatible with a variety of exit devices including rim style from Von Duprin, Falcon, Sargent®, Precision™, Corbin Russwin®, Dorma® and Yale®.



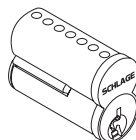
**Conventional
key-in-lever**

P, P6, Z,
L, L-SAR, L-FA7



**Full Size
Interchangeable Core**

R, M, J-SAR,
J-CO6, J-CO7, J-MED,
J-YA6, J-YA7



**Small Format
Interchangeable Core**

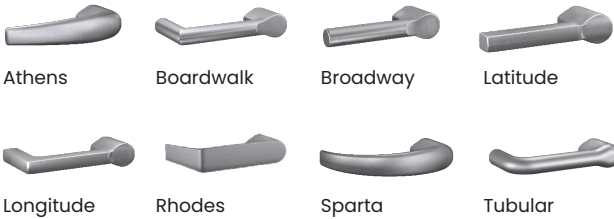
G7, B

Lever & Cylinder Compatibility

Ordering suffix	Application (made to accept)	With cylinder	Pins	Cylinder type			Lever style							
				KIL	FSIC	SFIC	ATH	BRK	BRW	LAT	LON	RHO	SPA	TLR
P	Schlage® - (6-pin, keyed 5)	●	6	●			●	●	●	●	●	●	●	●
P6	Schlage - Everest 29 S (default)	●	6	●			●	●	●	●	●	●	●	●
Z	Schlage SL - Everest 29 R keyways	●	7	●			●	●	●	●	●	●	●	●
L	Schlage, Falcon®		6	●			●	●	●	●	●	●	●	●
R	Schlage - Everest 29 S (default)	●	6		●		●	●	●	●	●	●	●	●
M	Schlage SL - Everest 29 R keyways	●	7		●		●	●	●	●	●	●	●	●
J	Schlage		6		●		●	●	●	●	●	●	●	●
G7	Schlage Everest 29 R keyways	●	7			●	●	●	●	●	●	●	●	●
B	Schlage, Falcon, Competitive OEM's		7			●	●	●	●	●	●	●	●	●
L-FA7	Falcon		7	●				●	●	●	●	●	●	
L-SAR	Sargent® (10L+11L)		6	●			●	●	●	●	●	●	●	●
J-SAR	Sargent 6300		6		●		●	●	●	●	●	●	●	●
J-CO6	Corbin® 8000		6		●		●	●	●	●	●	●	●	●
J-CO7	Corbin 8000-7		7		●			●	●	●	●	●	●	●
J-MED	Medeco® 32*0201		6		●			●	●	●	●	●	●	
J-YA6	Yale® 1210 or Medeco 31*0100		6		●		●	●	●	●	●	●	●	●
J-YA7	Yale 1220		7		●			●	●	●	●	●	●	

Lever Styles

Conventional cylinders shown, SFIC and FSIC also available.



Finishes



Allegion, the Allegion logo, Schlage and the Schlage logo are trademarks of Allegion plc, its subsidiaries and/or affiliates in the United States and other countries. All other trademarks are the property of their respective owners.