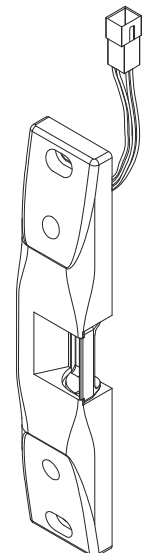
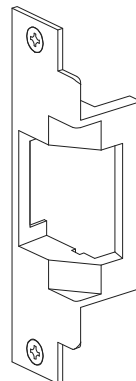
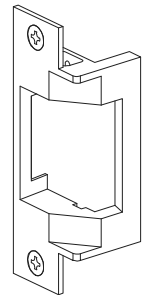
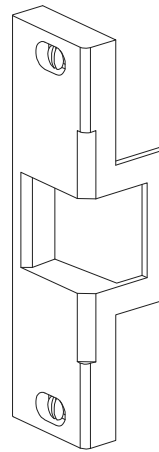
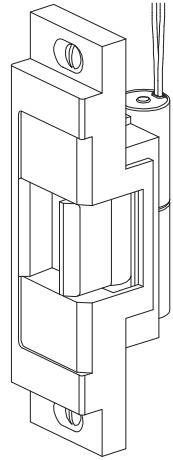
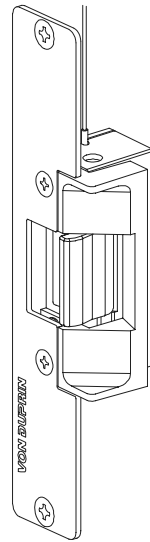


**VON DUPRIN®**

# Electric Strikes 5100, 6100, 6200, 6300 Series

Service manual



# Table of Contents

<b>General Information .....</b>	<b>2</b>	<b>6200 Series Electric Strikes.....</b>	<b>17</b>
<b>Introduction .....</b>	<b>2</b>	<b>Box Parts: Type B Box.....</b>	<b>18</b>
<b>How To Order.....</b>	<b>2</b>	<b>Box Parts: Type B Box Images .....</b>	<b>19</b>
<b>Part Number Changes .....</b>	<b>2</b>	<b>Solenoids &amp; Box Parts: Type A Box, Type C</b>	
<b>5100 Series Medium Duty Electric Strikes .....</b>	<b>3</b>	<b>Box, Offset Box .....</b>	<b>20</b>
<b>Faceplate &amp; Screw Packages.....</b>	<b>4</b>	<b>6213 .....</b>	<b>22</b>
<b>Solenoid Replacement Kit.....</b>	<b>5</b>	<b>6214, 6215, 6222, 6224, 6224AL, 6225,</b>	
<b>6100 Series Electric Strikes.....</b>	<b>7</b>	<b>6226 .....</b>	<b>24</b>
<b>Solenoids &amp; Solenoid Parts .....</b>	<b>8</b>	<b>6211, 6211AL, 6212.....</b>	<b>26</b>
<b>Solenoids &amp; Box Parts: Type A Box, Type C</b>		<b>6211WF, 6212WF.....</b>	<b>28</b>
<b>Box, Offset Box .....</b>	<b>9</b>	<b>6221, 6223 .....</b>	<b>30</b>
<b>6111, 6113.....</b>	<b>10</b>	<b>6216 .....</b>	<b>32</b>
<b>6114 .....</b>	<b>12</b>	<b>6210 .....</b>	<b>34</b>
<b>6112, 6121 .....</b>	<b>14</b>	<b>6300 Series Electric Strikes.....</b>	<b>37</b>
		<b>6300 Strike Shim &amp; Wire Harness.....</b>	<b>38</b>

## General Information

### INTRODUCTION

This manual lists replaceable parts and assemblies for 5100 Series Medium Duty Electric Strikes, 6100 Series Electric Strikes, 6200 Series Electric Strikes, and 6300 Electric Strikes.

### HOW TO ORDER

Some parts are sold separately. Other items are available as part of a kit or multiple quantity package. For the best possible service when ordering replacement parts or assemblies, please provide the following information:

- Part number or assembly number
- Description
- Quantity needed
- Finish desired (if available finished)
- Date of original purchase (if known)

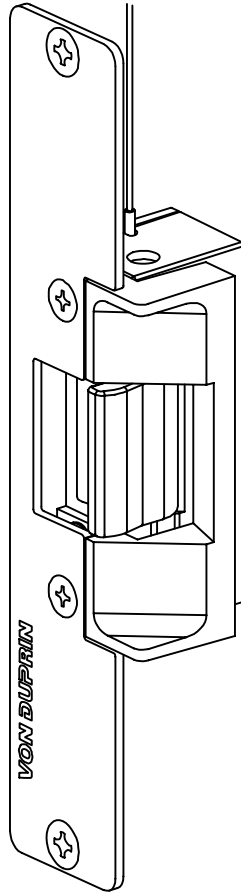
To find out the name of your local Von Duprin distributor or sales representative, contact:

Von Duprin Division  
 Allegion  
 2720 Tobey Drive  
 Indianapolis, Indiana 46219  
 Phone: (877) 671-7011

### PART NUMBER AND AVAILABILITY CHANGES

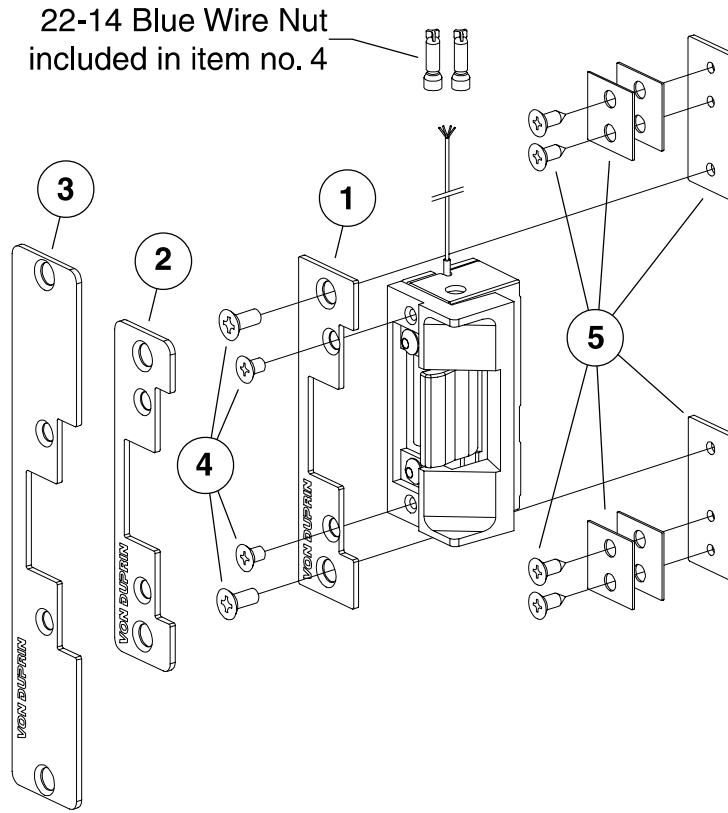
This manual was designed to help illustrate the replacement parts and kits that are available for sale. Because of changes to the product and/or manufacturing process, part numbers and availability can change over time.

# 5100 Series Medium Duty Electric Strikes



# 5100 Series Medium Duty Electric Strikes

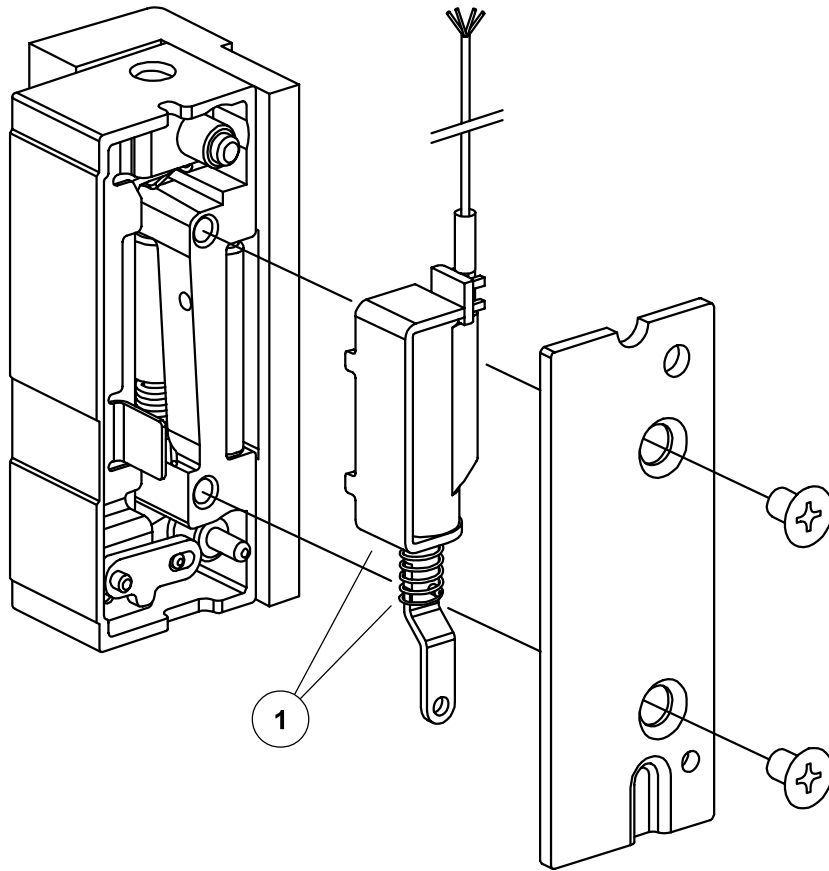
## Faceplate & Screw Packages



Item Number	Part Number	Description	Quantity	Finish
1	050031	5100 Faceplate Package - Standard 4-7/8"	1	x
2	050032	5100 Faceplate Package - Round Corner 4-7/8"	1	x
3	050033	5100 Faceplate Package - Long 7-11/16"	1	x
4	PKGSCR.1003	5000 Series Screw Package US32D		
		10-24 5/16" UFPHMS	2	
		12-24 1/2" UFPHMS	2	
		12-14 1" UFPHWS	2	
		22-14 Blue Wire Nut	2	
4	PKGSCR.1004	5000 Series Screw Package Black		
		Same parts as PKGSCR.1003 in Black Finish		
5	PKGMTG.1004	5000 Mounting Package US32D		
		Mounting Tab Zinc	2	
		Mounting Tab Shim Nylon	4	
		10-24 1/2" UFPHMS	4	
5	PKGMTG.1005	5000 Mounting Package Black		
		Same parts as PKGMTG.1004 in Black Finish		

X in "Finish" column designates finished item; specify finish when ordering.

Solenoid Replacement Kit

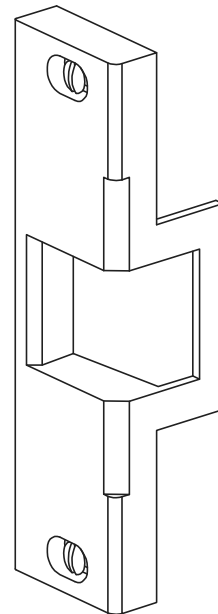
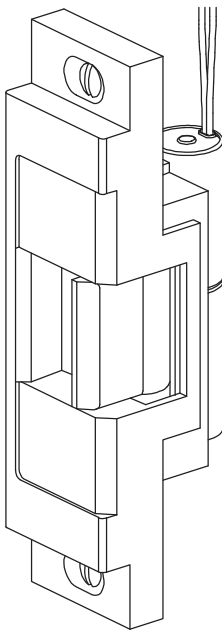


Item Number	Part Number	Description	Quantity	Finish
1	050034	5100 Solenoid Replacement Kit		
		5100 Solenoid Assembly	1	
		5100 Plunger Spring	1	

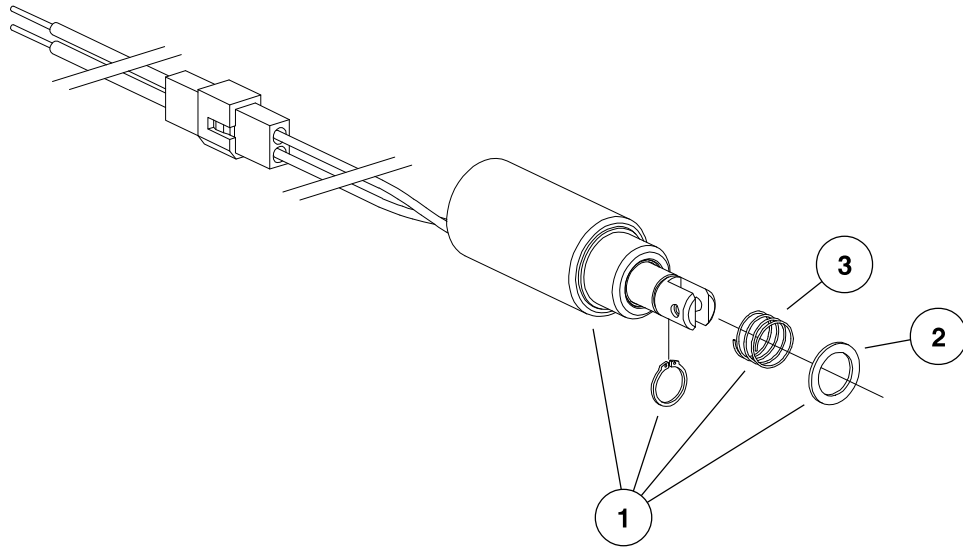
X in "Finish" column designates finished item; specify finish when ordering.

## ***5100 Series Medium Duty Electric Strikes***

# 6100 Series Electric Strikes



Solenoids & Solenoid Parts

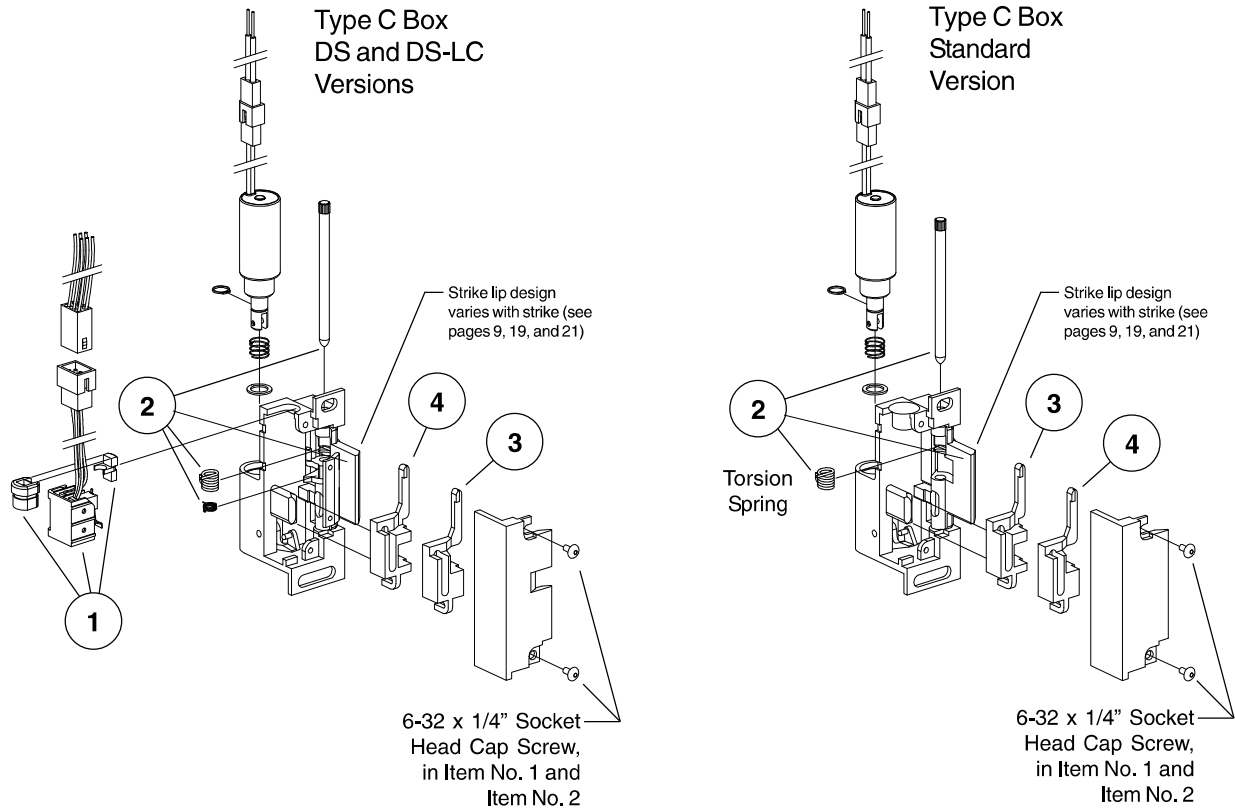


Item Number	Part Number	Description	Quantity	Finish
1	050237	6000 Series Solenoid Kit 12VDC (FS & FSE)	1	
1	050239	6000 Series Solenoid Kit 16VDC (FS & FSE)	1	
1	050240	6000 Series Solenoid Kit 24VDC (FS & FSE)	1	
2	964037	Solenoid Washer	1	
3	968713	Solenoid Spring	1	

X in "Finish" column designates finished item; specify finish when ordering.



Solenoids & Box Parts: Type A Box, Type C Box, Offset Box



Item Number	Part Number	Description	Quantity	Finish
	050941	Type C Box Spring Kit (Includes items listed below)	2	
3	970388	FSE Slider (*Except for models below) *Use as FS Slider for 6211WF/6212WF/6221/6223	1	
4	970387	FS Slider (*Except for models below) *Use as FSE Slider for 6211WF/6212WF/6221/6223	1	

X in "Finish" column designates finished item; specify finish when ordering.

Type C Box Used For:	
6111	6113
6112	6121

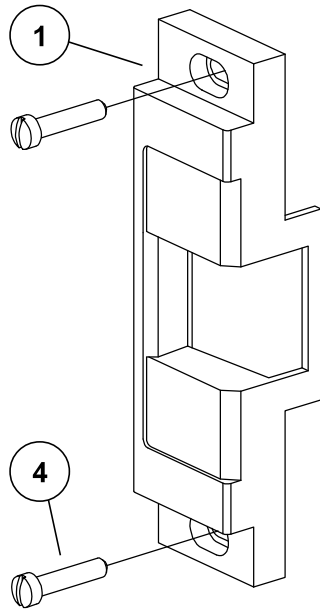
## 6100 Series Electric Strikes

### 6111, 6113

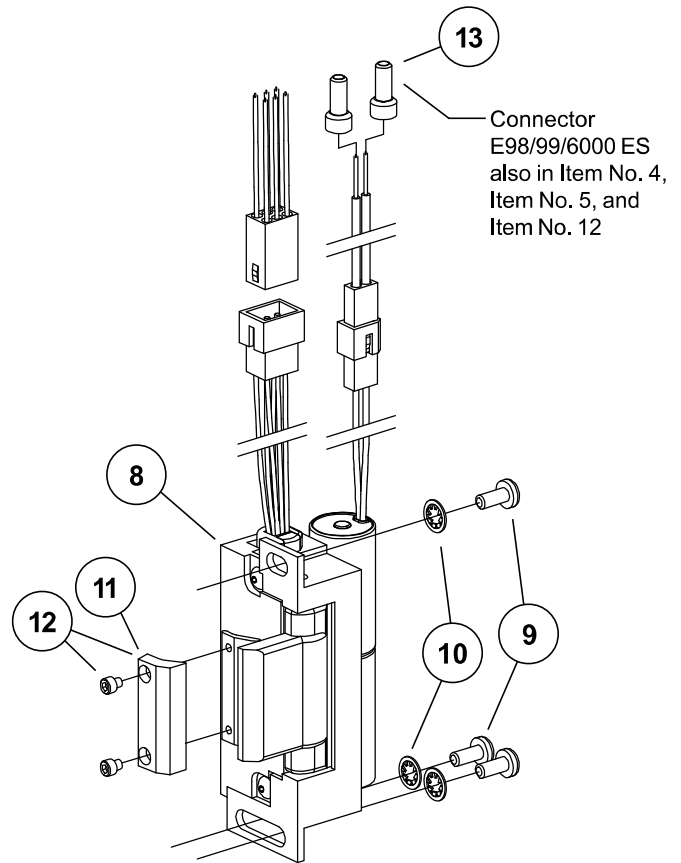
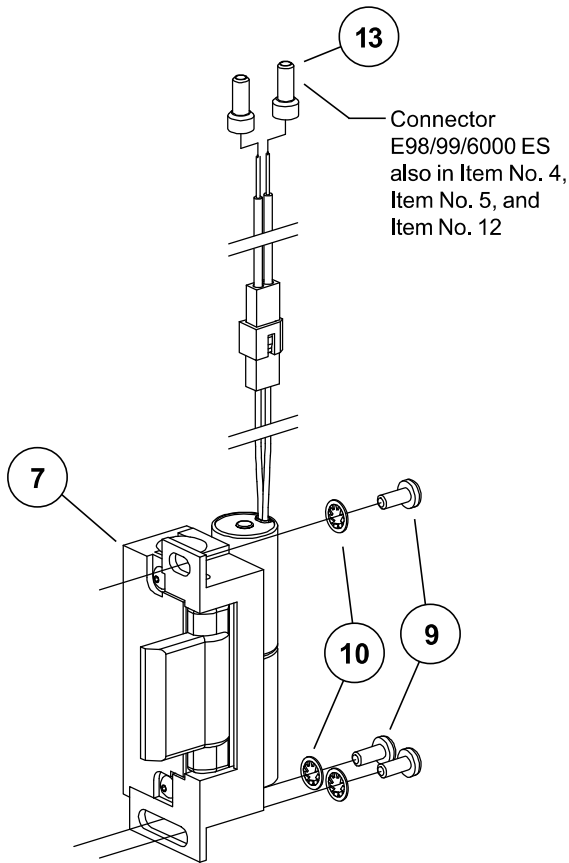
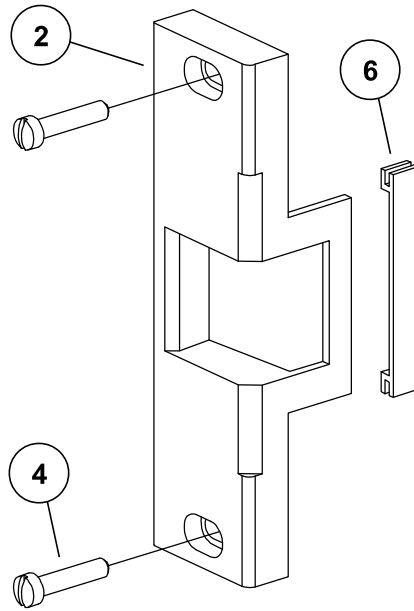
Item Number	Part Number	Description	Quantity	Finish
1	970271	6111 Faceplate	1	x
2	970280	6113 Faceplate	1	x
4	900870	6111/6113 Screw Pkg.		x
		12-24 x 1" Slotted Fill. HMS	2	
		Connector- E98/99/6000 ES	2	
6	900347	6113 Frame Insert Pkg.	1	
7	111743	6111, 6113, 6213 12VDC FS Box Assy.	1	
7	111744	6111, 6113, 6213 12VDC FSE Box Assy.	1	
7	111745	6111, 6113, 6231 24VDC FS Box Assy.	1	
7	111746	6111, 6113, 6213 24VDC FSE Box Assy.	1	
8	111747	6111, 6113, 6213 12VDC FS DS Box Assy.	1	
8	111748	6111, 6113, 6213 12VDC FSE DS Box Assy.	1	
8	111749	6111, 6113, 6213 24VDC FS DS Box Assy.	1	
8	111750	6111, 6113, 6213 24VDC FSE DS Box Assy.	1	
8	112772	6111/6113/6213 12VDC FS DS-LC Box Assy.	1	
8	112773	6111/6113/6213 12VDC FSE DS-LC Box Assy.	1	
8	112774	6111/6113/6213 24VDC FS DS-LC Box Assy.	1	
8	112775	6111/6113/6213 24VDC FSE DS-LC Box Assy.	1	
9 / 10	964399	8-32 x 3/8" PPHMS w/ #8 Int. Tooth Lock Washer	1	
11	970384	DS Tripper Extension	1	
12	900344	DS Tripper Extension & Connector		
		Tripper Extension	1	
		4-40 x 1/8" Socket Head Cap Screw	2	
		Connector- E98/99/6000 ES	6	
13	990132	Connector- E98/99/6000 ES	1	

X in "Finish" column designates finished item; specify finish when ordering.

**6111**



**6113**



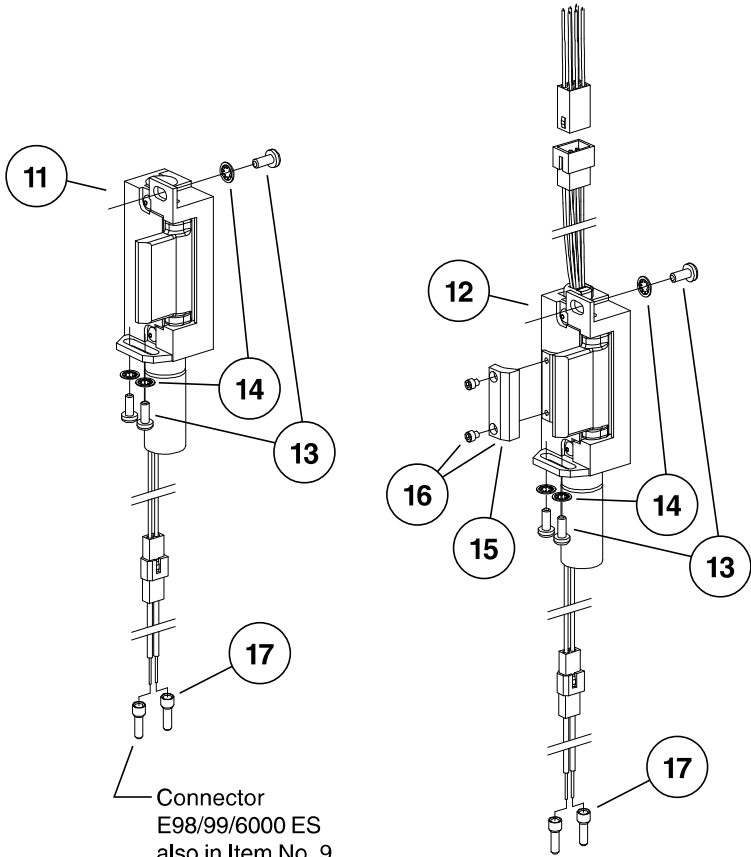
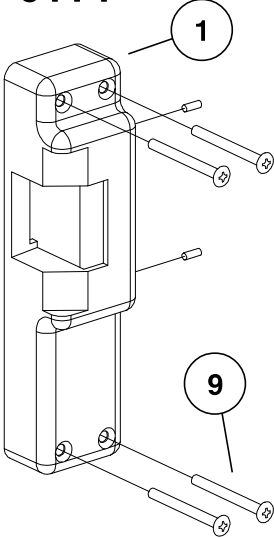
## 6100 Series Electric Strikes

6114

Item Number	Part Number	Description	Quantity	Finish
1	970300	6114 Faceplate	1	x
9	900882	6114 Screw Pkg.		x
		10-12 x 10-24 x 2" OPHCS	4	
		Connector- E98/99/6000 ES	2	
11	111719	6114, 6214/5, 6222/4/4AL/5/6 12VDC FS Box Assy.	1	
11	111720	6114, 6214/5, 6222/4/4AL/5/6 12VDC FSE Box Assy.	1	
11	111721	6114, 6214/5, 6222/4/4AL/5/6 24VDC FS Box Assy.	1	
11	111722	6114, 6214/5, 6222/4/4AL/5/6 24VDC FSE Box Assy.	1	
12	111723	6114, 6214/5, 6222/4/4AL/5/6 12VDC FS DS Box Assy.	1	
12	111724	6114, 6214/5, 6222/4/4AL/5/6 12VDC FSE DS Box Assy.	1	
12	111725	6114, 6214/5, 6222/4/4AL/5/6 24VDC FS DS Box Assy.	1	
12	111726	6114, 6214/5, 6222/4/4AL/5/6 24VDC FSE DS Box Assy.	1	
12	112760	6114/6214/15/24/24AL/26 12VDC FS DS-LC Box Assy.		
12	112761	6114/6214/15/24/24AL/26 12VDC FSE DS-LC Box Assy.		
12	112762	6114/6214/15/24/24AL/26 24VDC FS DS-LC Box Assy.		
12	112763	6114/6214/15/24/24AL/26 24VDC FSE DS-LC Box Assy.		
13 / 14	964399	8-32 x 3/8" PPHMS w/ #8 Int. Tooth Lock Washer	1	
15	970384	DS Tripper Extension	1	
16	900344	DS Tripper Extension & Connector		
		Tripper Extension	1	
		4-40 x 1/8" Socket Head Cap Screw	2	
		Connector- E98/99/6000 ES	6	
17	990132	Connector- E98/99/6000 ES	1	

X in "Finish" column designates finished item; specify finish when ordering.

6114



Connector  
E98/99/6000 ES  
also in Item No. 9,  
Item No. 10, and  
Item No. 16

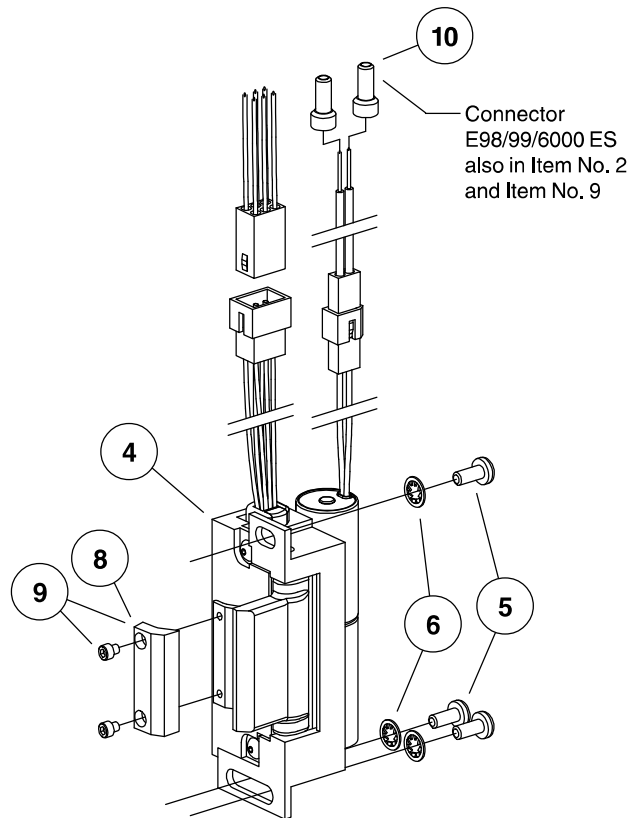
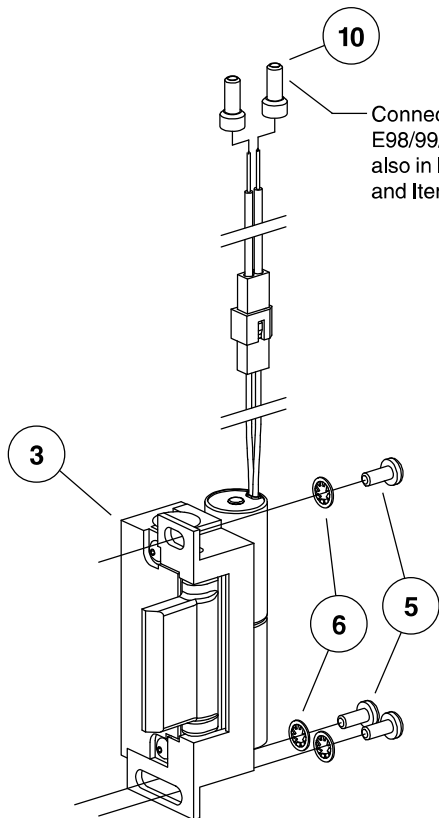
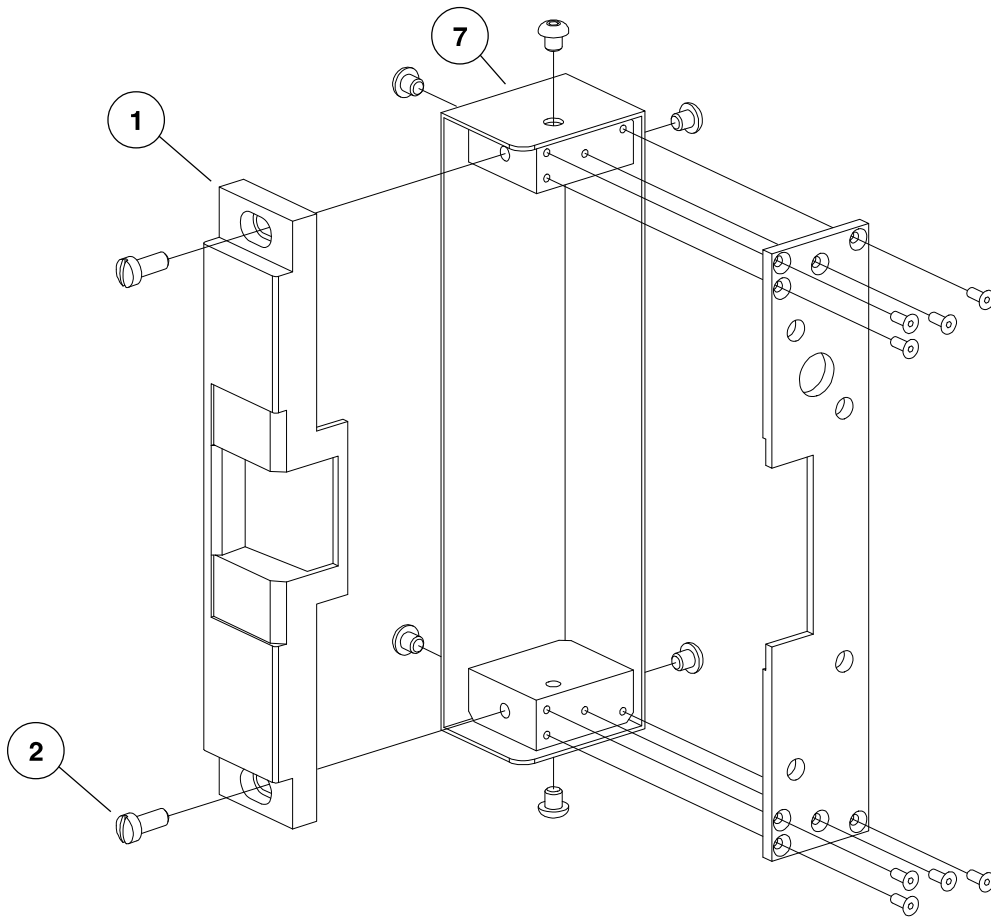
Connector  
E98/99/6000 ES  
also in Item No. 9,  
Item No. 10, and  
Item No. 16

## 6100 Series Electric Strikes

6112, 6121

Item Number	Part Number	Description	Quantity	Finish
1	970303	6112/6121 Faceplate	1	x
2	900881	6112/6121 Screw Pkg.		x
		1/4-20 x 5/8" Slot Fill HMS	2	
		Connector- E98/99/6000 ES	2	
3	111751	6112, 6121 12VDC FS Box Assy.	1	
3	111752	6112, 6121 12VDC FSE Box Assy.	1	
3	111753	6112, 6121 24VDC FS Box Assy.	1	
3	111754	6112, 6121 24VDC FSE Box Assy.	1	
4	111755	6112, 6121 12VDC FS DS Box Assy.	1	
4	111756	6112, 6121 12VDC FSE DS Box Assy.	1	
4	111757	6112, 6121 24VDC FS DS Box Assy.	1	
4	111758	6112, 6121 24VDC FSE DS Box Assy.	1	
4	112776	6112/6121 12VDC FS DS-LC Box Assy.	1	
4	112777	6112/6121 12VDC FSE DS-LC Box Assy.	1	
4	112778	6112/6121 24VDC FS DS-LC Box Assy.	1	
4	112779	6112/6121 24VDC FSE DS-LC Box Assy.	1	
5 / 6	964399	8-32 x 3/8" PPHMS w/ #8 Int. Tooth Lock Washer	1	
7	970412	6121 Housing Cover	1	x
8	970384	DS Tripper Extension	1	
9	900344	DS Tripper Extension		
		Tripper Extension	1	
		4-40 x 1/8" Socket Head Cap Screw	2	
		Connector- E98/99/6000 ES	6	
10	990132	Connector- E98/99/6000 ES	1	

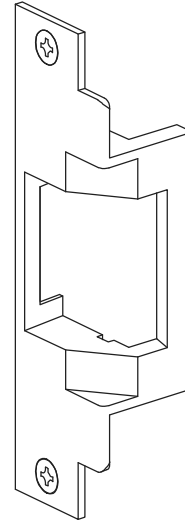
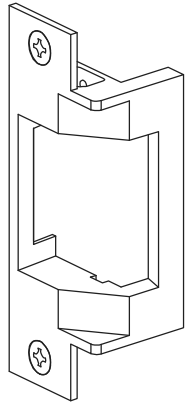
X in "Finish" column designates finished item; specify finish when ordering.







# 6200 Series Electric Strikes



## 6200 Series Electric Strikes

### Box Parts: Type B Box

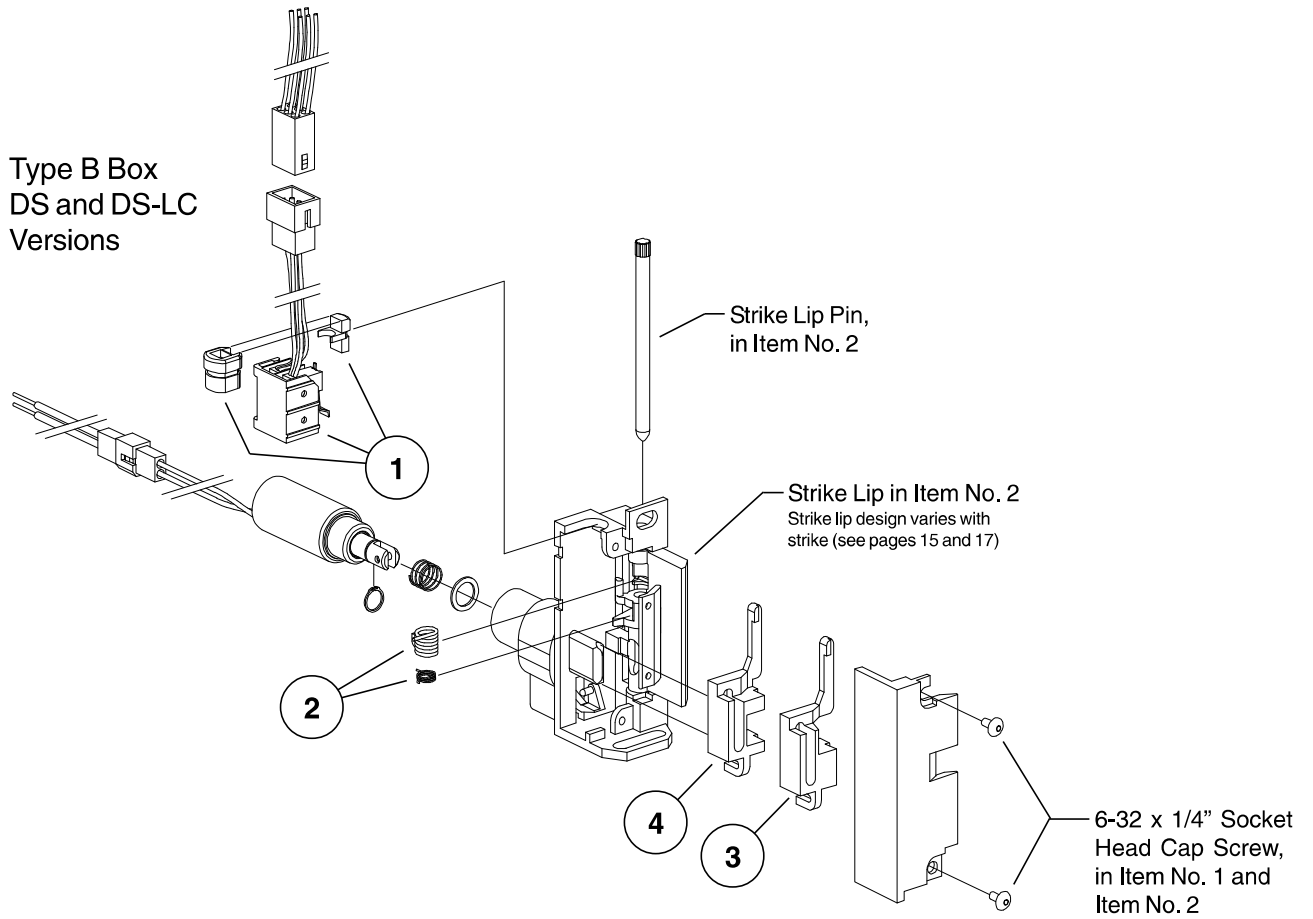
Item Number	Part Number	Description	Quantity	Finish
1	050015	6000 DS Replacement Kit Type B		
		6000 Switch & Mtg. Assy.	1	
		6-32 x 1/4" Socket Head Cap Screw	2	
		Wire Strain Relief	1	
1	050018	6000 DS-LC Replacement Kit Type B		
		Same parts as 050015 for DS-LC Version		
2	050939	Type A or B Box Spring Kit		
		6-32 x 1/4" Socket Head Cap Screw	2	
		Tripper Spring	1	x
		Torsion Spring	1	
		Strike Lip Pin	1	
Strike Lip	1			
3	970387	FS Slider (6211WF/6212WF/6221/6223 Only)	1	
4	970388	FSE Slider (6211WF/6212WF/6221/6223 Only)	1	

X in "Finish" column designates finished item; specify finish when ordering.

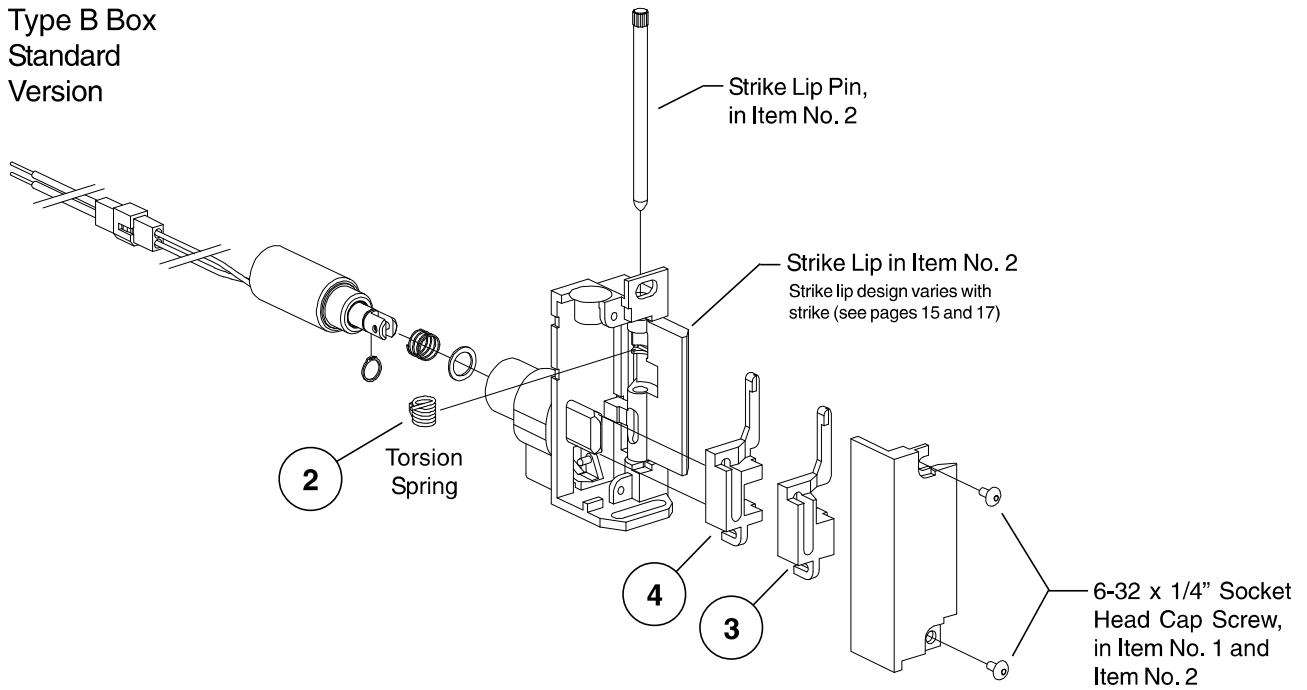
#### Type B Box Used For:

6211WF  
6212WF  
6221  
6223

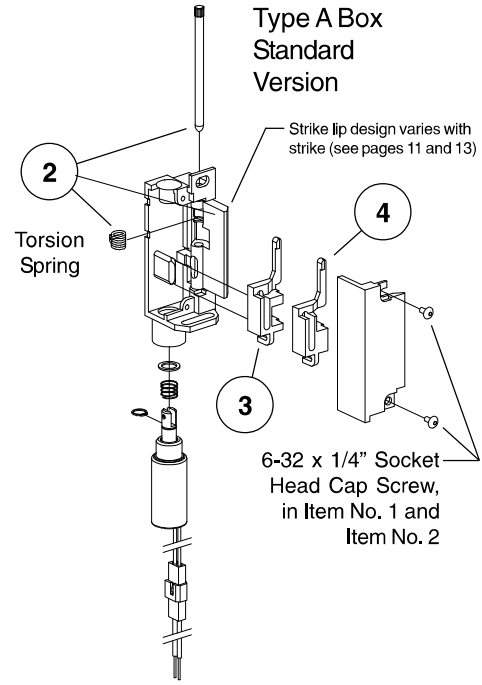
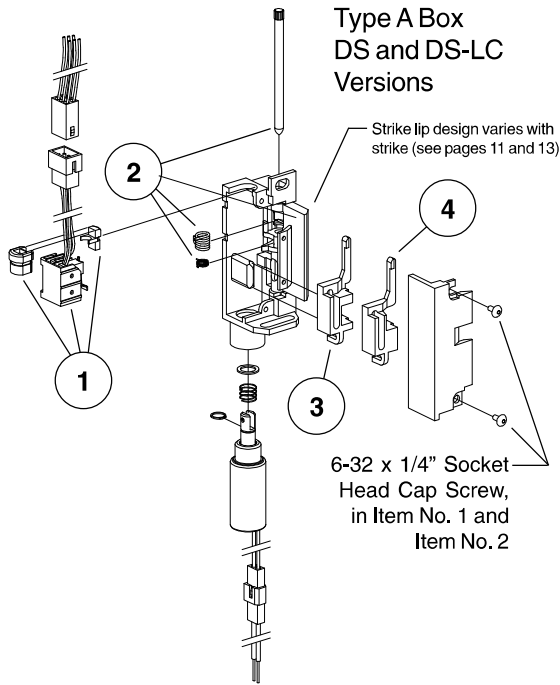
Box Parts: Type B Box Images



Type B Box  
Standard  
Version



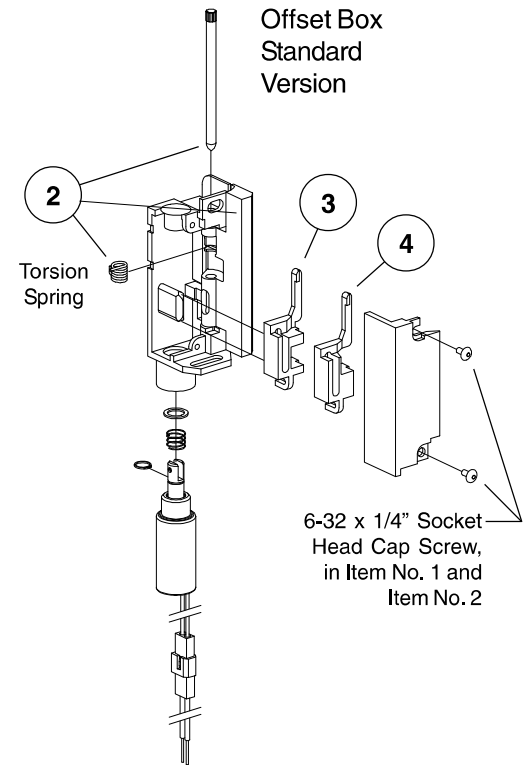
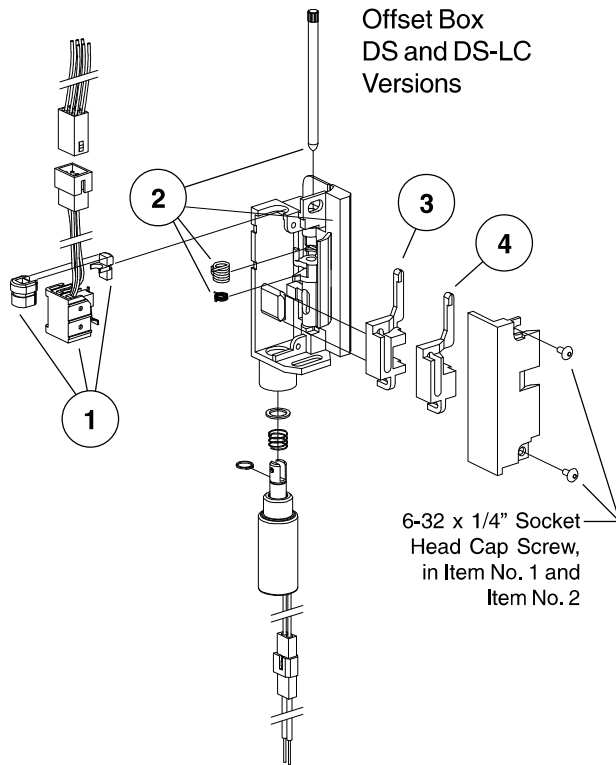
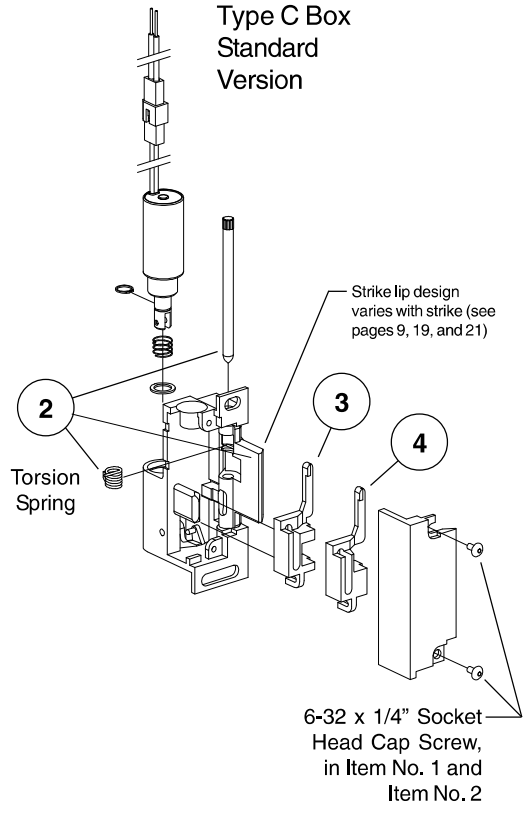
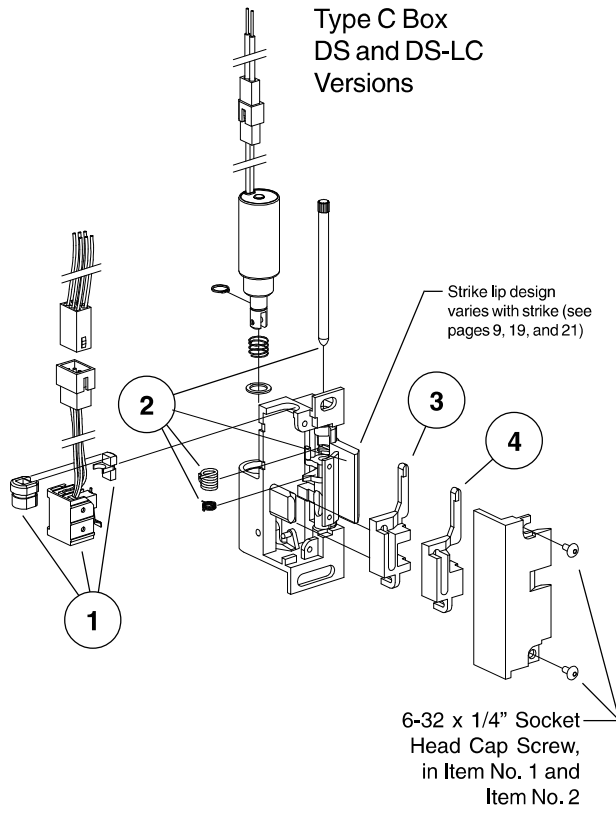
Solenoids & Box Parts: Type A Box, Type C Box, Offset Box



Item Number	Part Number	Description	Quantity	Finish
1	050011	6000 DS Replacement Kit Type A		
		6000 Switch & Mtg. Assy.	1	
		6-32 x 1/4" Socket Head Cap Screw	2	
		Wire Strain Relief	1	
1	050016	6000 DS-LC Replacement Kit Type B	1	
		Same parts as 050011 for DS-LC Version		
2	050939	Type A or B Box Spring Kit (Includes items listed below)		
	050941	Type C Box Spring Kit (Includes items listed below)	2	
	050940	Type Offset Box Spring Kit (Includes items listed below)	1	
		Tripper Spring	1	
		Torsion Spring	1	
		Strike Lip	1	
3	970387	FSE Slider (*Except for models below) *Use as FS Slider for 6211WF/6212WF/6221/6223	1	
4	970388	FS Slider (*Except for models below) *Use as FSE Slider for 6211WF/6212WF/6221/6223	1	

X in "Finish" column designates finished item; specify finish when ordering.

Type A Box Used For:		Type C Box Used For:	Offset Box Used For:
6211	6222	6213	6210
6211AL	6224	6216	
6212	6224AL		
6214	6225		
6215	6226		



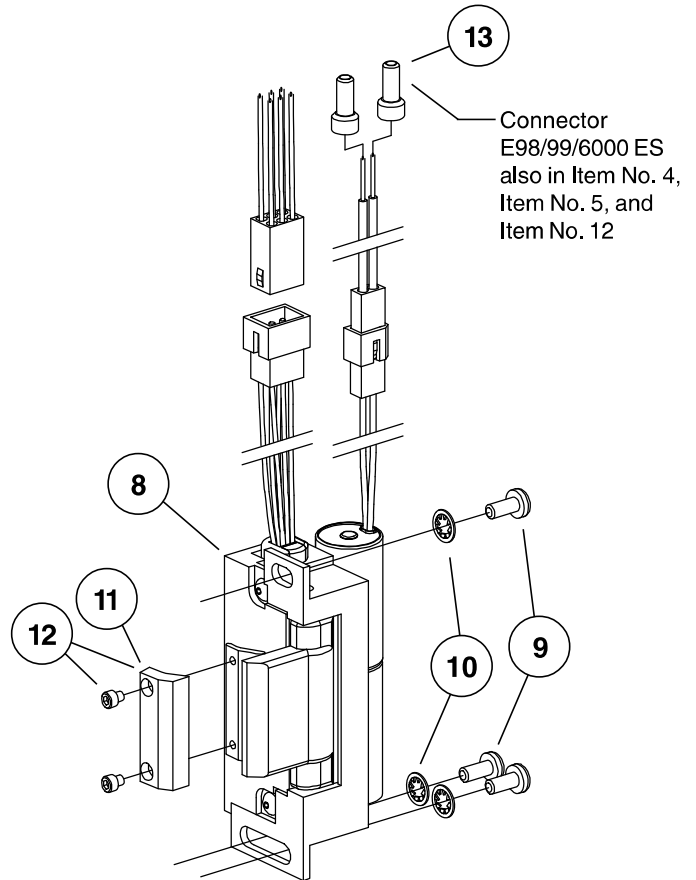
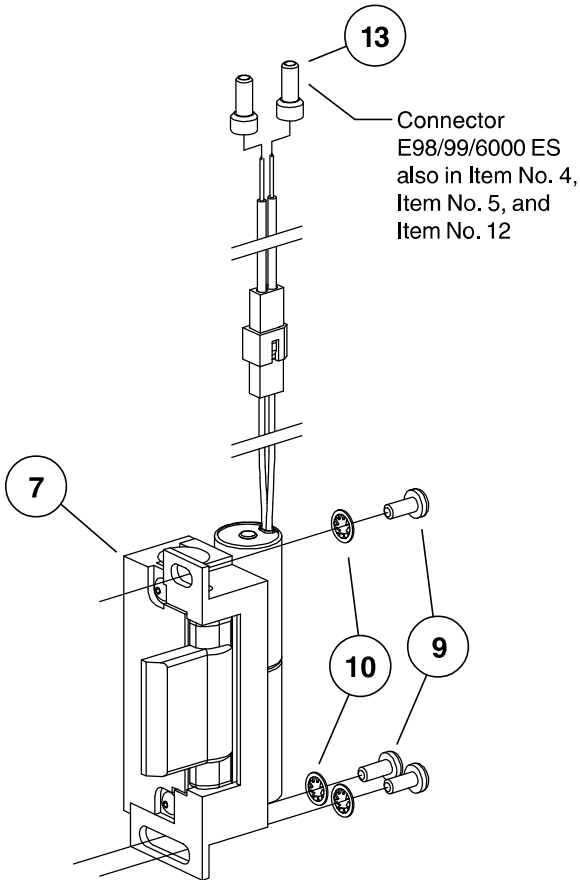
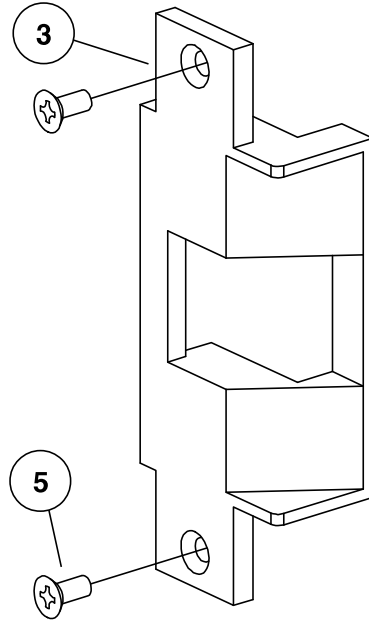
## 6200 Series Electric Strikes

6213

Item Number	Part Number	Description	Quantity	Finish
3	970278	6213 Faceplate	1	x
5	900288	6210/11/13/14/16/22/24/25/26 Screw Pkg.		x
		12-24 x 1/2" UFPHMS	2	
		Connector- E98/99/6000 ES	2	
7	111743	6213 12VDC FS Box Assy.	1	
7	111744	6213 12VDC FSE Box Assy.	1	
7	111745	6231 24VDC FS Box Assy.	1	
7	111746	6213 24VDC FSE Box Assy.	1	
8	111747	6213 12VDC FS DS Box Assy.	1	
8	111748	6213 12VDC FSE DS Box Assy.	1	
8	111749	6213 24VDC FS DS Box Assy.	1	
8	111750	6213 24VDC FSE DS Box Assy.	1	
8	112772	6213 12VDC FS DS-LC Box Assy.	1	
8	112773	6213 12VDC FSE DS-LC Box Assy.	1	
8	112774	6213 24VDC FS DS-LC Box Assy.	1	
8	112775	6213 24VDC FSE DS-LC Box Assy.	1	
9 / 10	964399	8-32 x 3/8" PPHMS w/ #8 Int. Tooth Lock Washer	1	
11	970384	DS Tripper Extension	1	
12	900344	DS Tripper Extension & Connector		
		Tripper Extension	1	
		4-40 x 1/8" Socket Head Cap Screw	2	
		Connector- E98/99/6000 ES	6	
13	990132	Connector- E98/99/6000 ES	1	

X in "Finish" column designates finished item; specify finish when ordering.

6213



## 6200 Series Electric Strikes

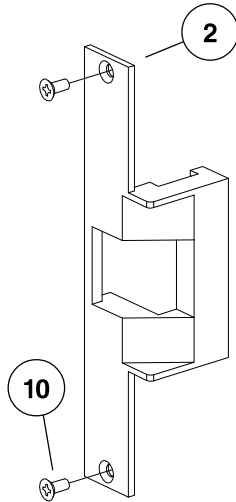
6214, 6215, 6222, 6224, 6224AL, 6225, 6226

Item Number	Part Number	Description	Quantity	Finish
2	971417	6214 Faceplate	1	x
3	971415	6215 Faceplate	1	x
4	970305	6222 Faceplate	1	x
5	970302	6224 Faceplate	1	x
6	970310	6224AL Faceplate	1	x
7	970306	6225 Faceplate	1	x
8	970301	6226 Faceplate	1	x
10	900288	6210/11/13/14/16/22/24/25/26 Screw Pkg.		x
		12-24 x 1/2" UFPHMS	2	
		Connector- E98/99/6000 ES	2	
11	111719	6214/5, 6222/4/4AL/5/6 12VDC FS Box Assy.	1	
11	111720	6214/5, 6222/4/4AL/5/6 12VDC FSE Box Assy.	1	
11	111721	6214/5, 6222/4/4AL/5/6 24VDC FS Box Assy.	1	
11	111722	6214/5, 6222/4/4AL/5/6 24VDC FSE Box Assy.	1	
12	111723	6214/5, 6222/4/4AL/5/6 12VDC FS DS Box Assy.	1	
12	111724	6214/5, 6222/4/4AL/5/6 12VDC FSE DS Box Assy.	1	
12	111725	6214/5, 6222/4/4AL/5/6 24VDC FS DS Box Assy.	1	
12	111726	6214/5, 6222/4/4AL/5/6 24VDC FSE DS Box Assy.	1	
12	112760	6214/15/24/24AL/26 12VDC FS DS-LC Box Assy.		
12	112761	6214/15/24/24AL/26 12VDC FSE DS-LC Box Assy.		
12	112762	6214/15/24/24AL/26 24VDC FS DS-LC Box Assy.		
12	112763	6214/15/24/24AL/26 24VDC FSE DS-LC Box Assy.		
13 / 14	964399	8-32 x 3/8" PPHMS w/ #8 Int. Tooth Lock Washer	1	
15	970384	DS Tripper Extension	1	
16	900344	DS Tripper Extension & Connector		
		Tripper Extension	1	
		4-40 x 1/8" Socket Head Cap Screw	2	
		Connector- E98/99/6000 ES	6	
17	990132	Connector- E98/99/6000 ES	1	

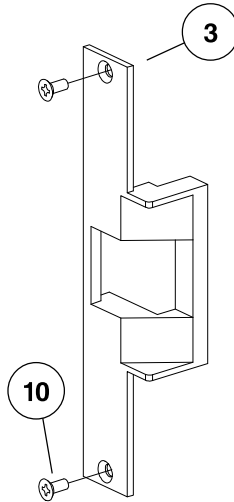
X in "Finish" column designates finished item; specify finish when ordering.



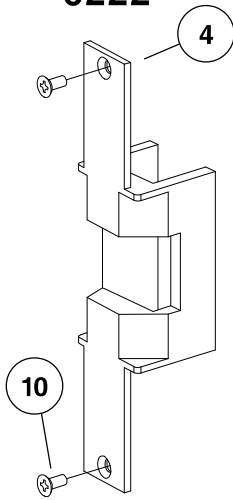
6214



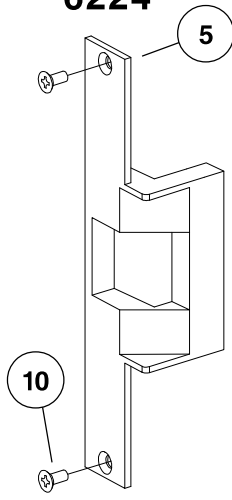
6215



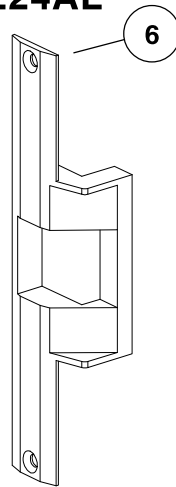
6222



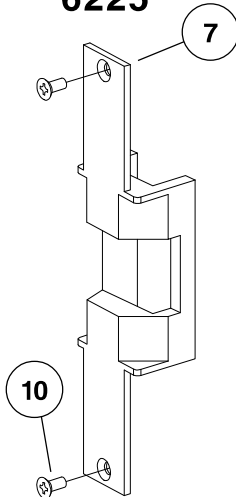
6224



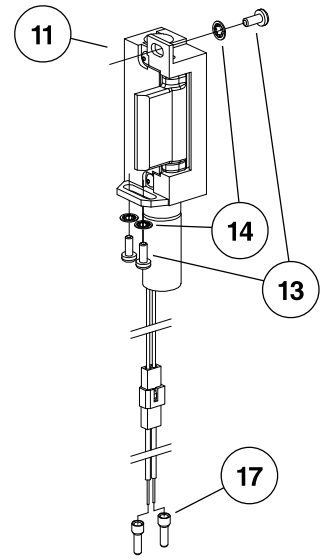
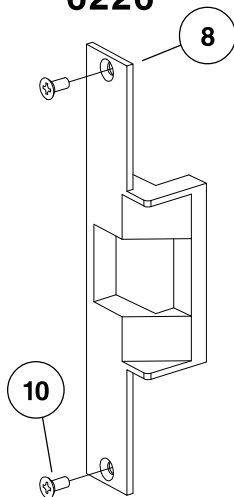
6224AL



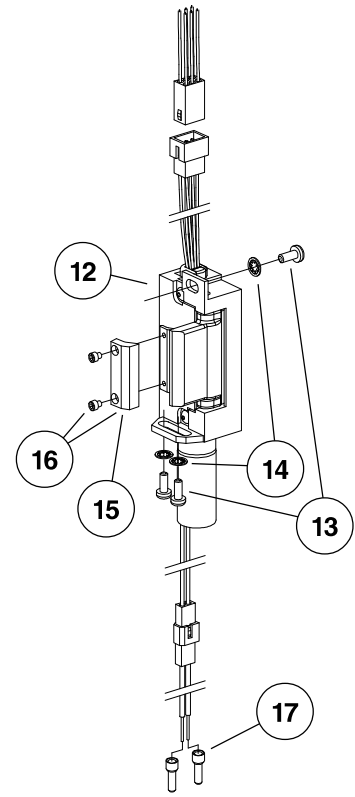
6225



6226



Connector  
E98/99/6000 ES  
also in Item No. 9,  
Item No. 10, and  
Item No. 16



Connector  
E98/99/6000 ES  
also in Item No. 9,  
Item No. 10, and  
Item No. 16

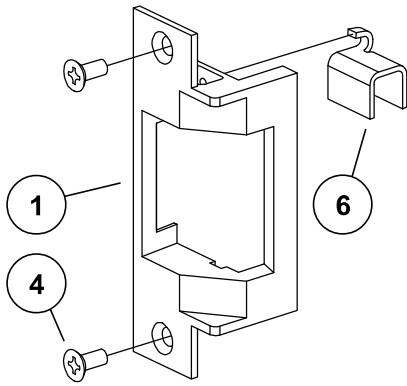
## 6200 Series Electric Strikes

### 6211, 6211AL, 6212

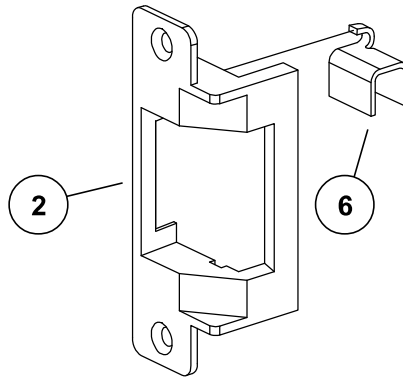
Item Number	Part Number	Description	Quantity	Finish
1	968716	6211/6211WF Faceplate	1	x
2	970272	6211AL Faceplate	1	x
3	969584	6212/6212WF Faceplate	1	x
4	900288	6210/11/13/14/16/22/24/25/26 Screw Pkg.		x
		12-24 x 1/2" UFPHMS	2	
		Connector- E98/99/6000 ES	2	
5	900290	6212 Screw Package		x
		12-24 x 1/2" UFPHMS	4	
		Connector- E98/99/6000 ES	2	
6	900291	6211/6212WF Strike Pocket Insert	1	
7	900292	6212 Strike Pocket Insert/Mounting Tab	1	
8	111711	6211, 6211AL, 6212 12VDC FS Box Assy.	1	
8	111712	6211, 6211AL, 6212 12VDC FSE Box Assy.	1	
8	111713	6211, 6211AL, 6212 24VDC FS Box Assy.	1	
8	111714	6211, 6211AL, 6212 24VDC FSE Box Assy.	1	
9	111715	6211, 6211AL, 6212 12VDC FS DS Box Assy.	1	
9	111716	6211, 6211AL, 6212 12VDC FSE DS Box Assy.	1	
9	111717	6211, 6211AL, 6212 24VDC FS DS Box Assy.	1	
9	111718	6211, 6211AL, 6212 24VDC FSE DS Box Assy.	1	
9	112756	6211/6211AL/6212 12VDC FS DS-LC Box Assy.	1	
9	112757	6211/6211AL/6212 12VDC FSE DS-LC Box Assy.	1	
9	112758	6211/6211AL/6212 24VDC FS DS-LC Box Assy.	1	
9	112759	6211/6211AL/6212 24VDC FSE DS-LC Box Assy.	1	
10 / 11	964399	8-32 x 3/8" PPHMS w/ #8 Int. Tooth Lock Washer	1	
12	970384	DS Tripper Extension	1	
13	900344	DS Tripper Extension & Connector		
		Tripper Extension	1	
		4-40 x 1/8" Socket Head Cap Screw	2	
		Connector- E98/99/6000 ES	6	
14	990132	Connector- E98/99/6000 ES	1	

X in "Finish" column designates finished item; specify finish when ordering.

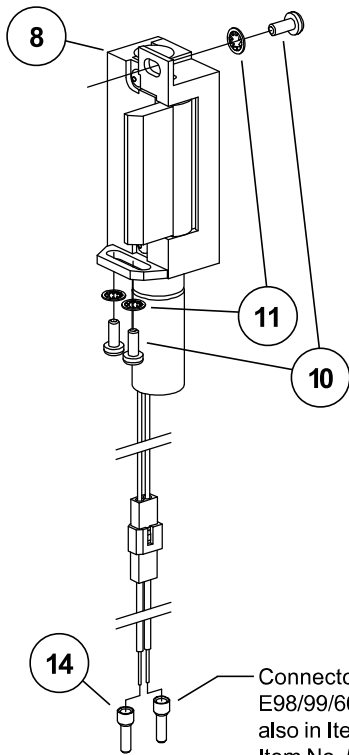
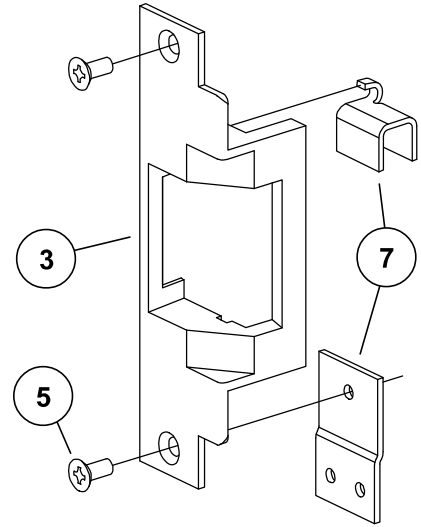
6211



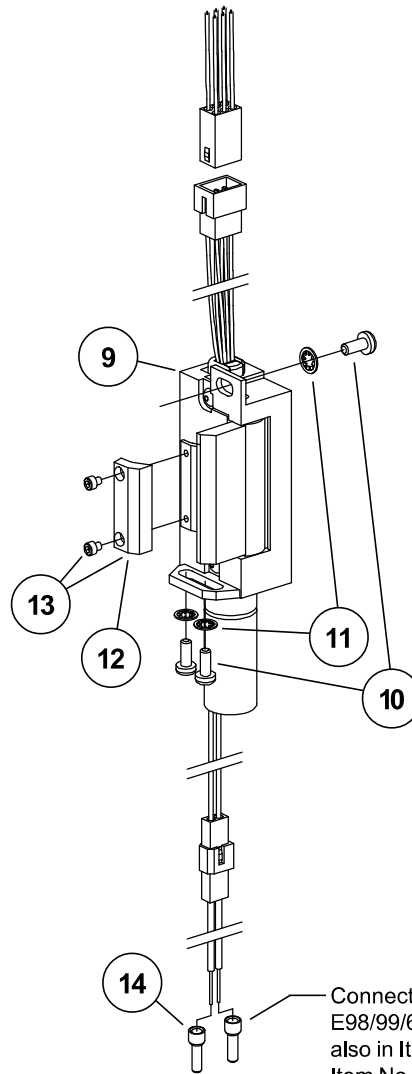
6211AL



6212



Connector  
E98/99/6000 ES  
also in Item No. 4,  
Item No. 5, and  
Item No. 13



Connector  
E98/99/6000 ES  
also in Item No. 4,  
Item No. 5, and  
Item No. 13

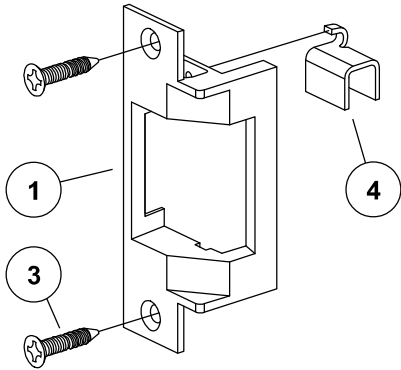
## 6200 Series Electric Strikes

### 6211WF, 6212WF

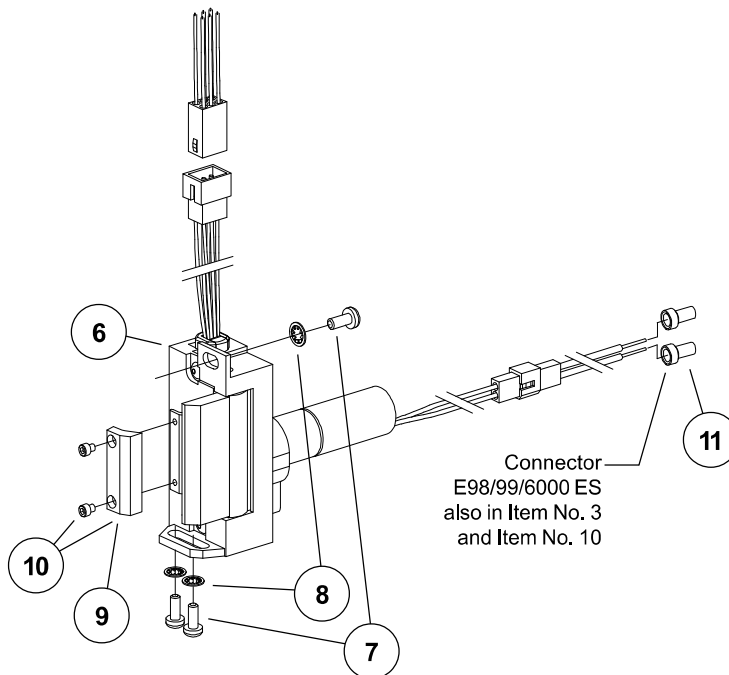
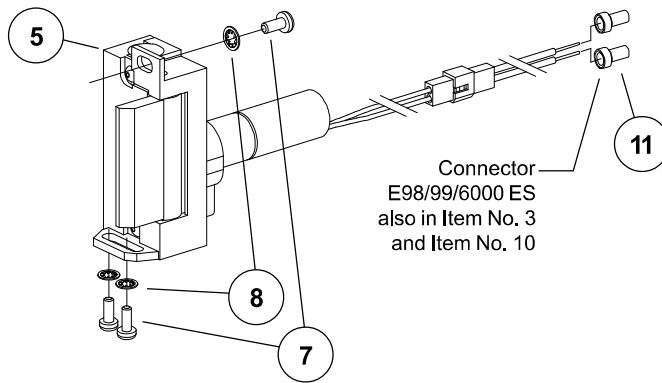
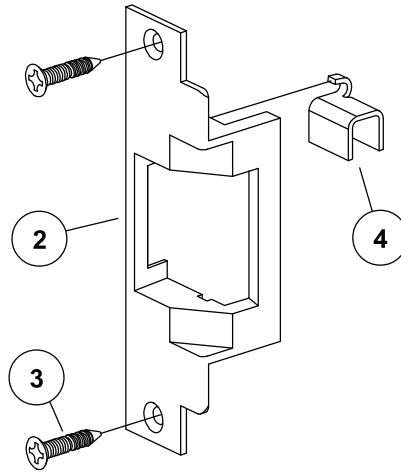
Item Number	Part Number	Description	Quantity	Finish
1	968716	6211/6211WF Faceplate	1	x
2	970271	6212/6212WF Faceplate	1	x
3	900885	6211WF/6212WF/6221/6223 Screw Pkg.		x
		12-12 x 12-24 x 1" UFPHCS	2	
		Connector- E98/99/6000 ES	2	
4	900291	6211/6212WF Strike Pocket Insert		
5	111727	6211WF, 6212WF 12VDC FS Box Assy.	1	
5	111728	6211WF, 6212WF 12VDC FSE Box Assy.	1	
5	111729	6211WF, 6212WF 24VDC FS Box Assy.	1	
5	111730	6211WF, 6212WF 24VDC FSE Box Assy.	1	
6	111731	6211WF, 6212WF 12VDC FS DS Box Assy.	1	
6	111732	6211WF, 6212WF 12VDC FSE DS Box Assy.	1	
6	111733	6211WF, 6212WF 24VDC FS DS Box Assy.	1	
6	111734	6211WF, 6212WF 24VDC FSE DS Box Assy.	1	
6	112764	6211WF/6212WF 12VDC FS DS-LC Box Assy.	1	
6	112765	6211WF/6212WF 12VDC FSE DS-LC Box Assy.	1	
6	112766	6211WF/6212WF 24VDC FS DS-LC Box Assy.	1	
6	112767	6211WF/6212WF 24VDC FSE DS-LC Box Assy.	1	
7 / 8	964399	8-32 x 3/8" PPHMS w/ #8 Int. Tooth Lock Washer	1	
9	970384	DS Tripper Extension	1	
10	900344	DS Tripper Extension & Connector		
		Tripper Extension	1	
		4-40 x 1/8" Socket Head Cap Screw	2	
		Connector- E98/99/6000 ES	6	
11	990132	Connector- E98/99/6000 ES	1	

X in "Finish" column designates finished item; specify finish when ordering.

6211WF



6212WF



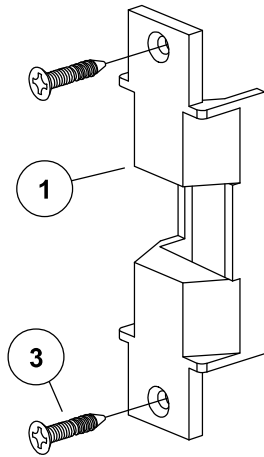
## 6200 Series Electric Strikes

### 6221, 6223

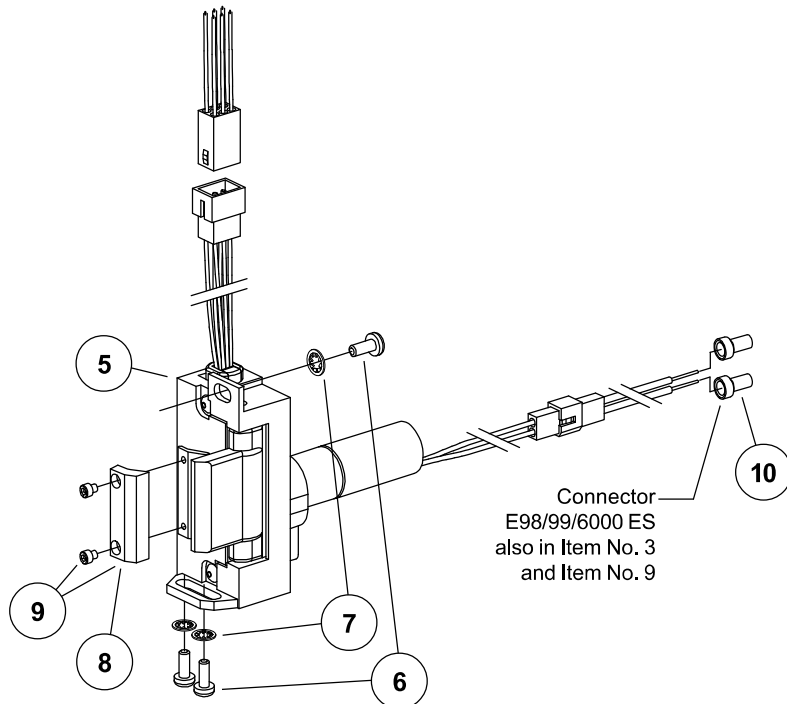
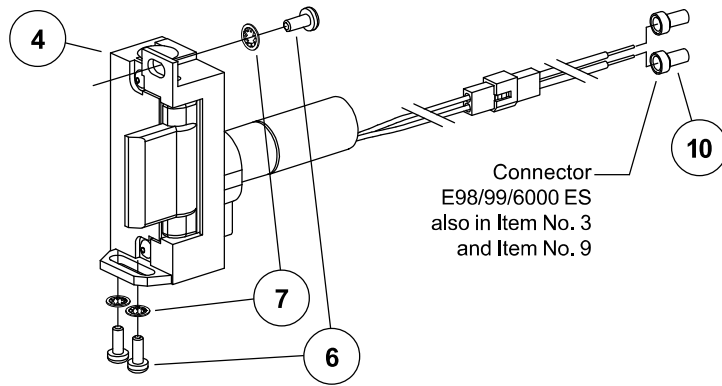
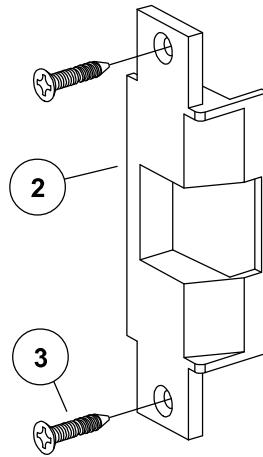
Item Number	Part Number	Description	Quantity	Finish
1	970276	6221 Faceplate	1	x
2	970274	6223 Faceplate	1	x
3	900885	6211WF/6212WF/6221/6223 Screw Pkg.		x
		12-12 x 12-24 x 1" UFPHCS	2	
		Connector- E98/99/6000 ES	2	
4	111735	6221, 6223 12VDC FS Box Assy.	1	
4	111736	6221, 6223 12VDC FSE Box Assy.	1	
4	111737	6221, 6223 24VDC FS Box Assy.	1	
4	111738	6221, 6223 24VDC FSE Box Assy.	1	
4	111739	6223 12VDC FS DS Box Assy.	1	
4	111740	6223 12VDC FSE DS Box Assy.	1	
4	111741	6223 24VDC FS DS Box Assy.	1	
4	111742	6223 24VDC FSE DS Box Assy.	1	
5	112768	6223 12VDC FS DS-LC Box Assy.	1	
5	112769	6223 12VDC FSE DS-LC Box Assy.	1	
5	112770	6223 24VDC FS DS-LC Box Assy.	1	
5	112771	6223 24VDC FSE DS-LC Box Assy.	1	
6 / 7	964399	8-32 x 3/8" PPHMS w/ #8 Int. Tooth Lock Washer	1	
8	970384	DS Tripper Extension	1	
9	900344	DS Tripper Extension & Connector		
		Tripper Extension	1	
		4-40 x 1/8" Socket Head Cap Screw	2	
		Connector- E98/99/6000 ES	6	
10	990132	Connector- E98/99/6000 ES	1	

X in "Finish" column designates finished item; specify finish when ordering.

6221



6223



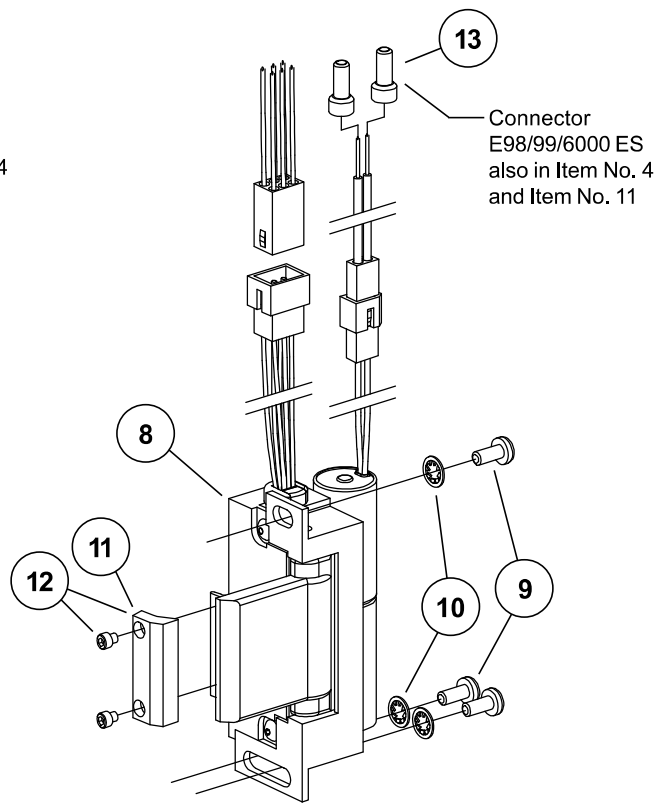
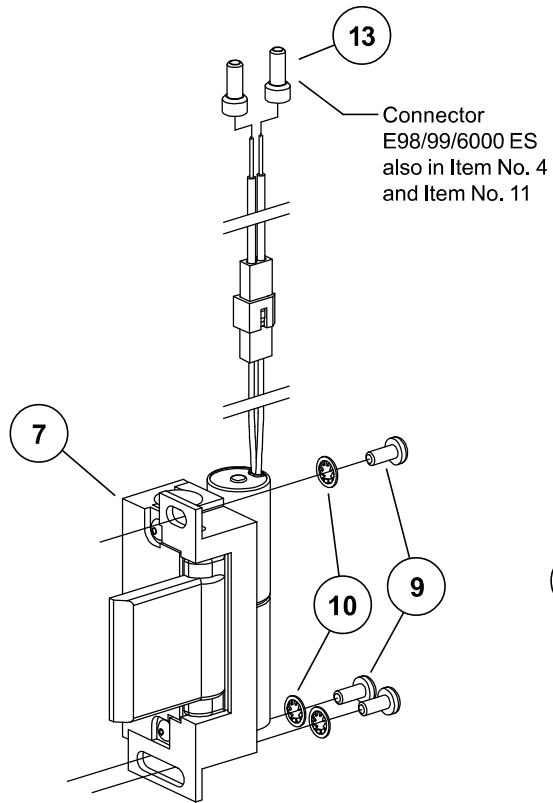
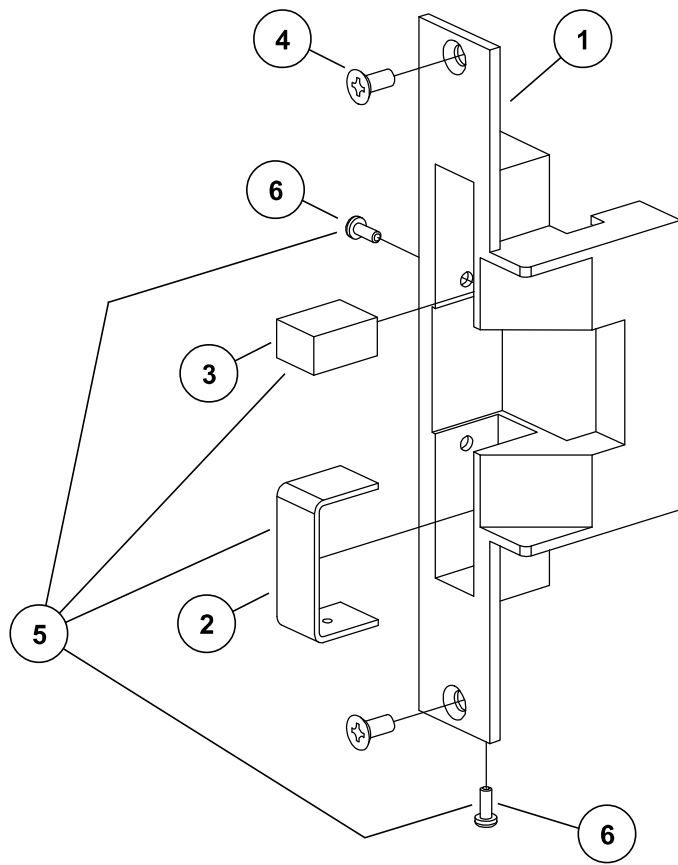
## 6200 Series Electric Strikes

# 6216

Item Number	Part Number	Description	Quantity	Finish
1	971385	6216 Faceplate Less Inserts	1	x
2	970407	6216 Large Faceplate Insert	1	x
3	970415	6216 Small Faceplate Insert	1	x
4	900288	6210/11/13/14/16/22/24/25/26 Screw Pkg.		x
		12-24 x 1/2" UFPHMS	2	
		Connector- E98/99/6000 ES	2	
5	900345	6216 Inserts and Screw Pkg.		x
		6-32 x 3/8" PPHMS	2	
		6216 Large Faceplate Insert	1	
		6216 Small Faceplate Insert	1	
6	964190	6-32 x 3/8" PPHMS	1	
7	111759	6216 12VDC FS Box Assy.	1	
7	111760	6216 12VDC FSE Box Assy.	1	
7	111761	6216 24VDC FS Box Assy.	1	
7	111762	6216 24VDC FSE Box Assy.	1	
8	111763	6216 12VDC FS DS Box Assy.	1	
8	111764	6216 12VDC FSE DS Box Assy.	1	
8	111765	6216 24VDC FS DS Box Assy.	1	
8	111766	6216 24VDC FSE DS Box Assy.	1	
8	112780	6216 12VDC FS DS-LC Box Assy.	1	
8	112781	6216 12VDC FSE DS-LC Box Assy.	1	
8	112782	6216 24VDC FS DS-LC Box Assy.	1	
8	112783	6216 24VDC FSE DS-LC Box Assy.	1	
9 / 10	964399	8-32 x 3/8" PPHMS w/ #8 Int. Tooth Lock Washer	1	
11	970384	DS Tripper Extension	1	
12	900344	DS Tripper Extension & Connector		
		Tripper Extension	1	
		4-40 x 1/8" Socket Head Cap Screw	2	
		Connector- E98/99/6000 ES	6	
13	990132	Connector- E98/99/6000 ES	1	

X in "Finish" column designates finished item; specify finish when ordering.



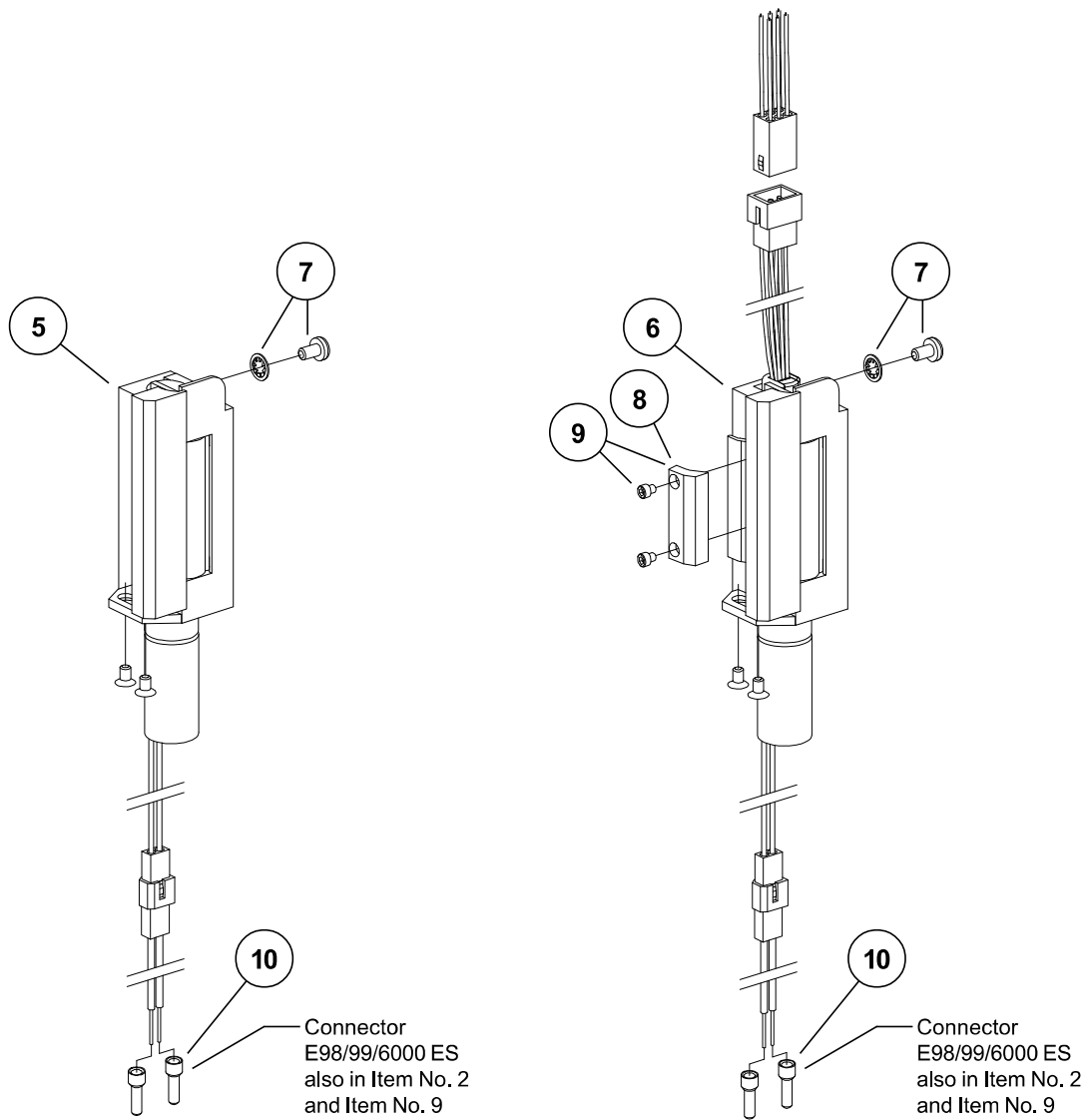
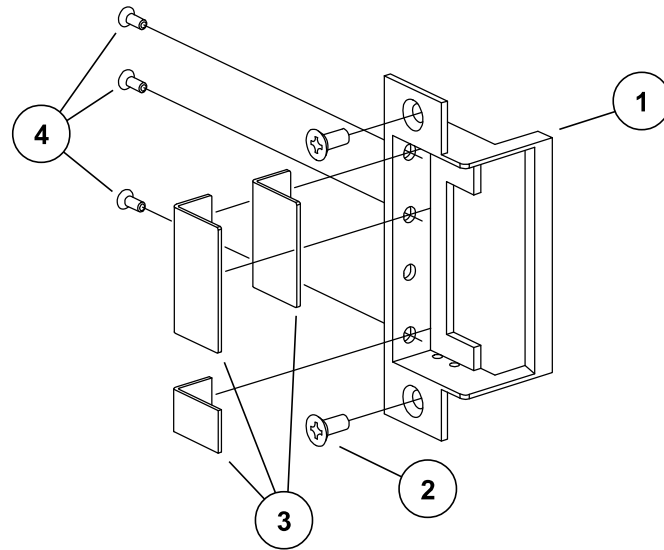


## 6200 Series Electric Strikes

# 6210

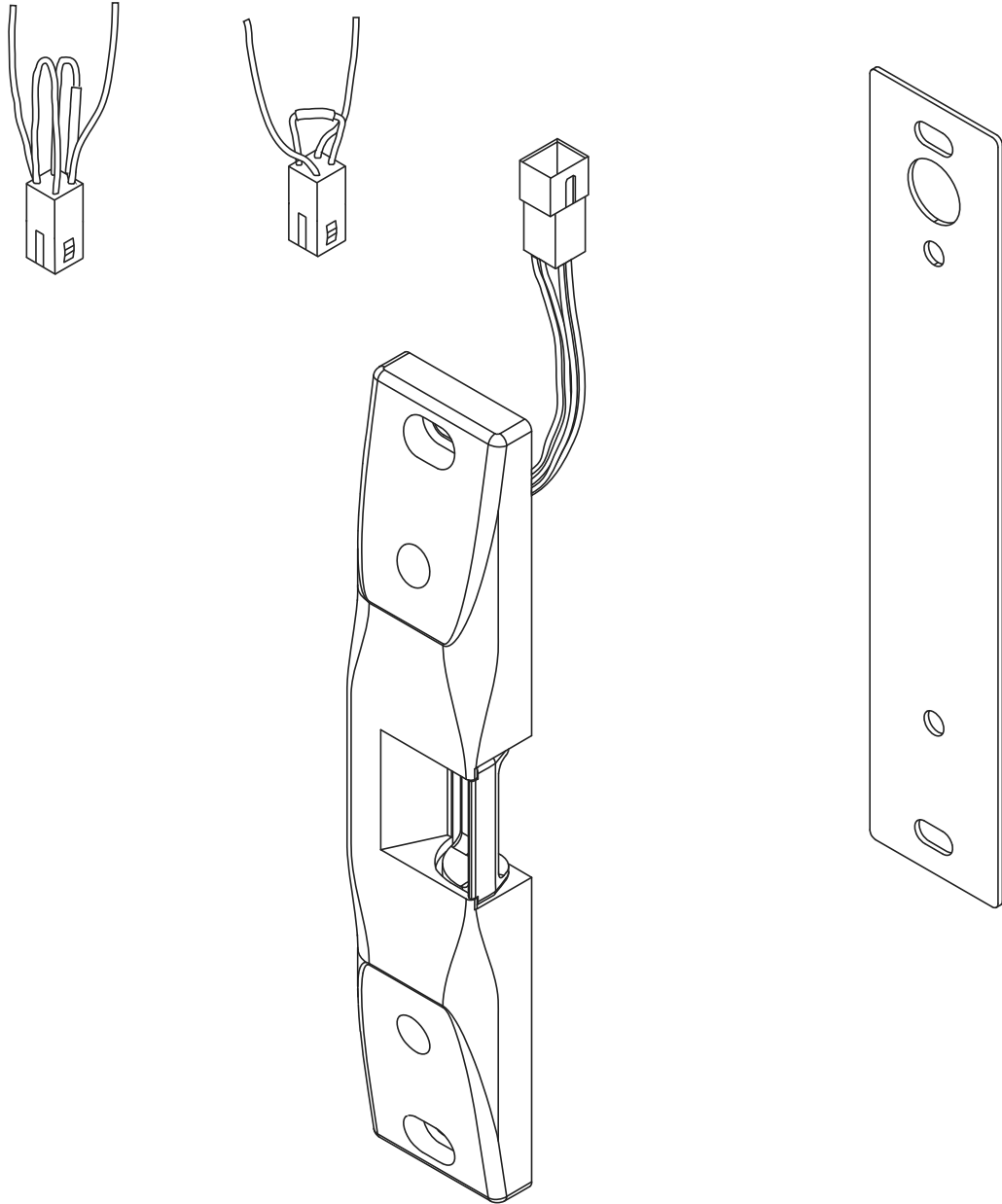
Item Number	Part Number	Description	Quantity	Finish
1	971198	6210 Faceplate		x
2	900288	6210/11/13/14/16/22/24/25/26 Screw Pkg.		x
		12-24 x 1/2" UFPHMS Connector- E98/99/6000 ES		
3	900584	6210 Auxiliary Bolt Plate Pkg.		
		Aux. Bolt Plate - Schlage		
		Aux. Bolt Plate - Std. Aux. Bolt Plate - Short		
4	900966	6210 Strike Pocket Insert Mounting Pkg.		
		6-32 x 1/4" FPHMS		
5	111244	6210 12VDC FS Box Assy.		
5	111246	6210 12VDC FSE Box Assy.		
5	111247	6210 24VDC FS Box Assy.		
5	111250	6210 24VDC FSE Box Assy.		
6	111251	6210 12VDC FS DS Box Assy.		
6	111264	6210 12VDC FSE DS Box Assy.		
6	111813	6216 24VDC FS DS Box Assy.		
6	111814	6216 24VDC FSE DS Box Assy.		
6	112754	6210 12 VDC FS DS-LC Box Assy.		
6	112755	6210 12 VDC FSE DS-LC Box Assy.		
6	112784	6210 24 VDC FS DS-LC Box Assy.		
6	112785	6210 24 VDC FSE DS-LC Box Assy.		
7	964399	8-32 x 3/8" PPHMS w/ #8 Int. Tooth Lock Washer		
8	970384	DS Tripper Extension		
9	900344	DS Tripper Extension & Connector		
		Tripper Extension		
		4-40 x 1/8" Socket Head Cap Screw Connector- E98/99/6000 ES		
10	990132	Connector- E98/99/6000 ES		

X in "Finish" column designates finished item; specify finish when ordering.

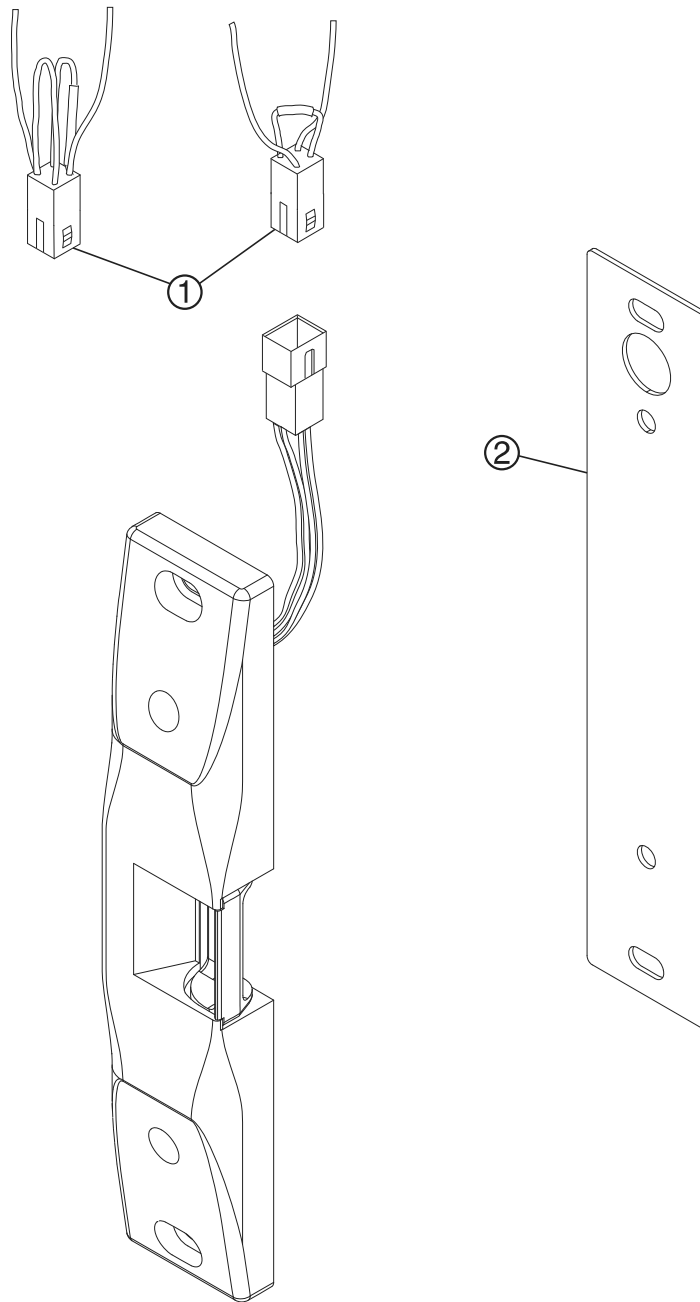




# 6300 Series Electric Strikes



# 6300 Strike Shim & Wire Harness



Item Number	Part Number	Description	Quantity	Finish
1	050803	6300 Strike Wire Harness Kit*		
2	050804	6300 Strike Shim Kit - SS		

X in "Finish" column designates finished item; specify finish when ordering.

\*Includes 12 VDC and 24 VDC pigtails.



