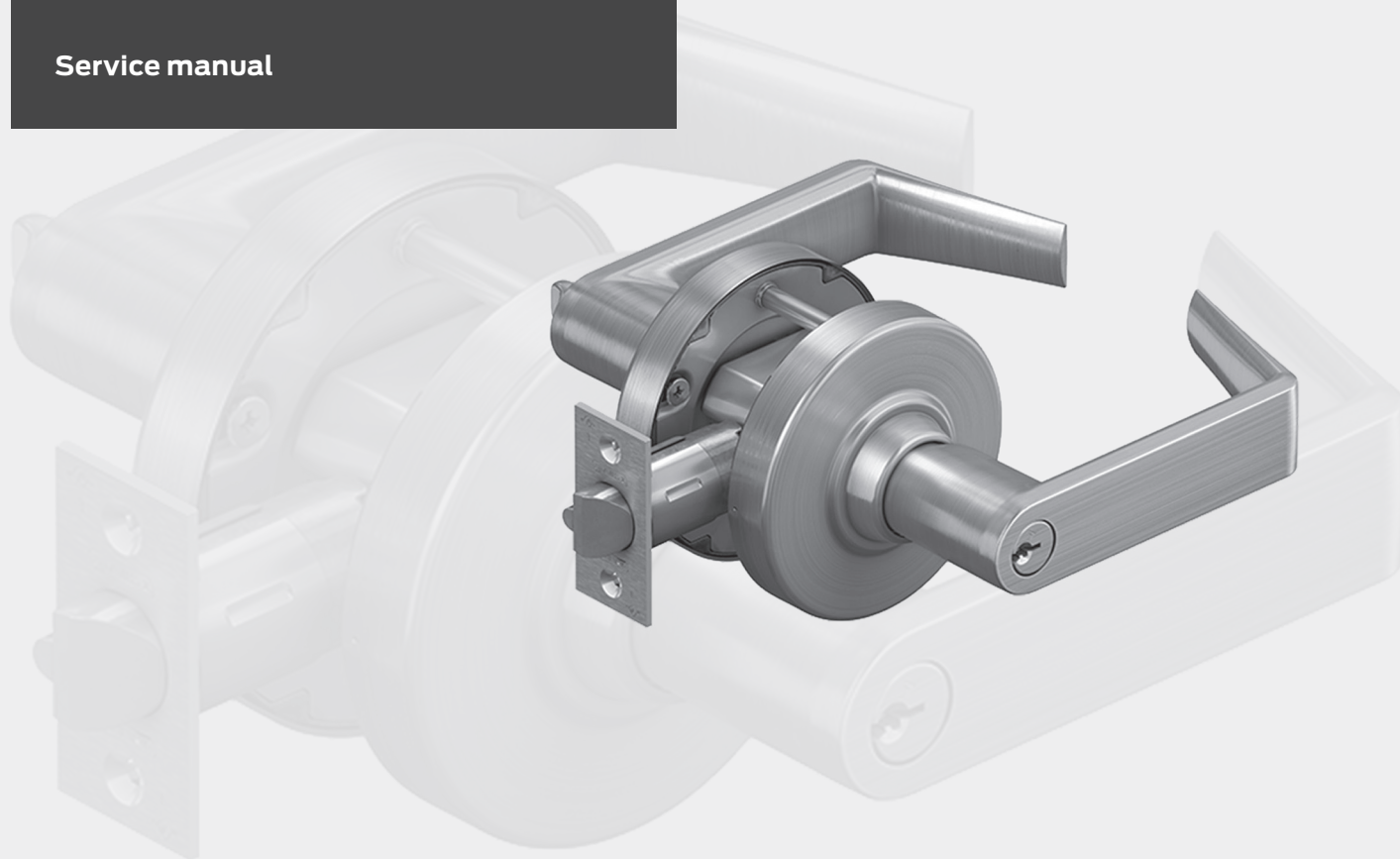


SCHLAGE

PC Series

Service manual



Contents

4	Introduction	22	Reinforcements and adapters
5	Lock Assembly Drawing Index	23	Finishes
7	Trim Assemblies	24	Ordering procedures
8	Passage Latch Trim		
9	Bath/Bedroom Privacy Lock Trim		
10	Entrance/Office Lock Trim		
11	Entrance Lock Trim		
12	Classroom Lock Trim		
13	Storeroom Lock Trim		
14	Single Dummy Trim		
15	Double Dummy Trim		
16	Levers		
18	Roses		
18	Strikes		
19	Latches		
20	Cylinder Options		
20	Standard Cylinders		
20	FSIC and SFIC Cylinders		
21	Fasteners		

Introduction

This manual contains a complete listing of PC Series (Grade 1) cylindrical lock parts and assemblies manufactured by the Schlage Lock Company. This edition lists components of PC Series locks manufactured after December, 2025.

Exploded views of trim are shown with parts for standard size doors, with accompanying charts to identify parts and subassemblies for replacement purposes. In addition, lock trim ordering procedures, general cylinder information, and all auxiliary components of the PC Series cylindrical locks are included.

Schlage PC Series lock parts are manufactured to close tolerances and are interchangeable between functions. Conversion of functions may be performed by identifying necessary substitution parts and following assembly as indicated on the lock drawings.

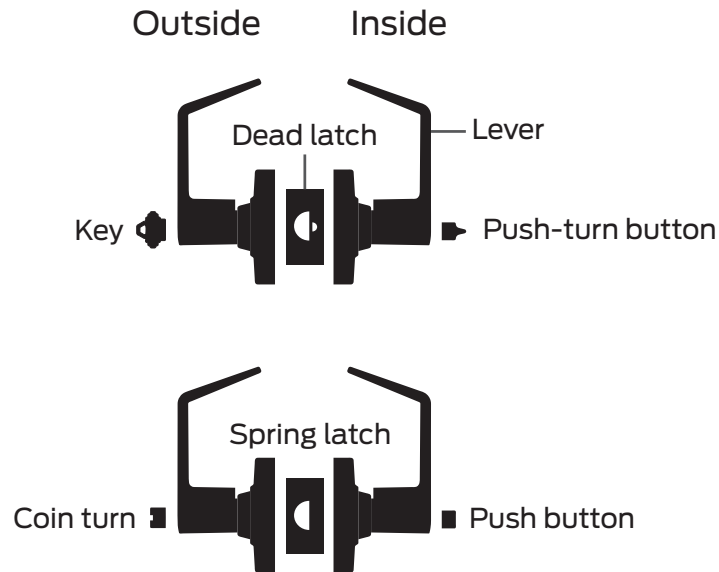
Standard Features*	
Certifications	ANSI/BHMA Certified A156.2, 2017, Series 4000, Grade 1, UL Listed for 3-hour fire door
Latch	1 $\frac{1}{8}$ " x 2 $\frac{1}{4}$ ", Square corner faceplate Standard 1" bolt diameter, $\frac{1}{2}$ " throw Optional latches available (see page 19 or the Schlage Commercial Price Book).
Strike	Standard ANSI, 1 $\frac{3}{16}$ " Square corner, curved lip, no box, 1 $\frac{1}{4}$ " x 4 $\frac{7}{8}$ " Optional strike sizes and lip lengths available (see page 18 or the Schlage Commercial Price Book).
Backset	2 $\frac{3}{4}$ "
Cylinder	Standard 6-Pin conventional, solid brass, keyed 6-pin, S123 keyway, keyed different (KD) Also available in FSIC, SFIC, and 7-pin SL cylinder formats, plus less cylinder to fit competitor core options.**
Door Range	1 $\frac{3}{8}$ " – 1 $\frac{3}{4}$ " (will accommodate a door wrap-around plate)
Keys	Two nickel silver cut, 6-pin S123 section

* Locks are furnished with standard features unless otherwise specified.

** Items specified in C keyway will be furnished with cylinder keyed 5-pin and with 5-pin keys unless otherwise specified.

Lock Assembly Drawing Index

The Lock Assembly Drawing Index provides illustrations and textual descriptions of available functions. Page numbers for full trim drawings are referenced.



Function		ANSI A156.2, 2017, Series 4000, Grade 2			Trim
Schlage	ANSI	Description	Outside function	Inside function	Page
PC10S	F75	Passage Latch	<ul style="list-style-type: none"> Lever is always unlocked. 	<ul style="list-style-type: none"> Lever is always unlocked and is always free for immediate egress. 	8
PC40	F76	Bath/Bedroom Privacy Lock	<ul style="list-style-type: none"> Outside lever is locked by inside push-button. Outside coin turn unlocks outside lever to provide emergency access when outside lever is locked (blade type tool required). Outside lever retracts latch once coin turn is rotated with tool. 	<ul style="list-style-type: none"> Inside push-button locks outside lever. Rotating inside lever or closing door releases push-button and prevents lock-out. Inside lever is always free for immediate egress. 	9
PC50PD	F82	Entrance/Office Lock	<ul style="list-style-type: none"> Outside lever is locked by inside push-button. Outside key does not lock the outside lever. Outside lever unlocked with key. 	<ul style="list-style-type: none"> Inside push-button locks outside lever. Rotating inside lever releases push-button and unlocks outside lever. Inside lever is always free for immediate egress. 	10

Note: Any function with a dead latch locks the latchbolt when door is closed.

Lock Assembly Drawing Index

Function		ANSI A156.2, 2017, Series 4000, Grade 2			Trim
Schlage	ANSI	Description	Outside function	Inside function	Page
PC53PD	F109	Entrance Lock	<ul style="list-style-type: none"> • Turn/Push-Button: Outside lever is locked by pushing and turning the inside turn/push-button. Key must be used until turn/push-button is unlocked. Key will only retract the latch, will not unlock the outside lever. • Push-Button: Outside lever is locked by pushing the inside push-button. Key must be used until push-button is unlocked. Outside lever unlocked from outside with key. • Outside key does not lock the outside lever. 	<ul style="list-style-type: none"> • Turn/Push-Button: Outside lever is locked by pushing and turning the inside turn/push-button until button is manually unlocked. • Push-Button: Pushing button locks outside lever. Turning inside lever releases button. • Inside lever is always free for immediate egress. 	11
PC70PD	F84	Classroom Lock	<ul style="list-style-type: none"> • Outside lever is locked and unlocked by key outside. 	<ul style="list-style-type: none"> • Inside lever is always unlocked and free for immediate egress. 	12
PC80PD	F86	Storeroom Lock	<ul style="list-style-type: none"> • Outside lever is locked. • Entrance by key only to retract latch. 	<ul style="list-style-type: none"> • Inside lever is always unlocked and free for immediate egress. 	13
PC170		Single Dummy Trim	<ul style="list-style-type: none"> • Dummy trim for one side of door. • For use as door pull or matching inactive trim. 		14
PC172		Double Dummy Trim	<ul style="list-style-type: none"> • Dummy trim, rigid levers on both sides of door. • No latch. (Blank latch cover available.) • No cylinder. • For use as door pull or matching inactive trim. 		15

Note: Any function with a dead latch locks the latchbolt when door is closed.

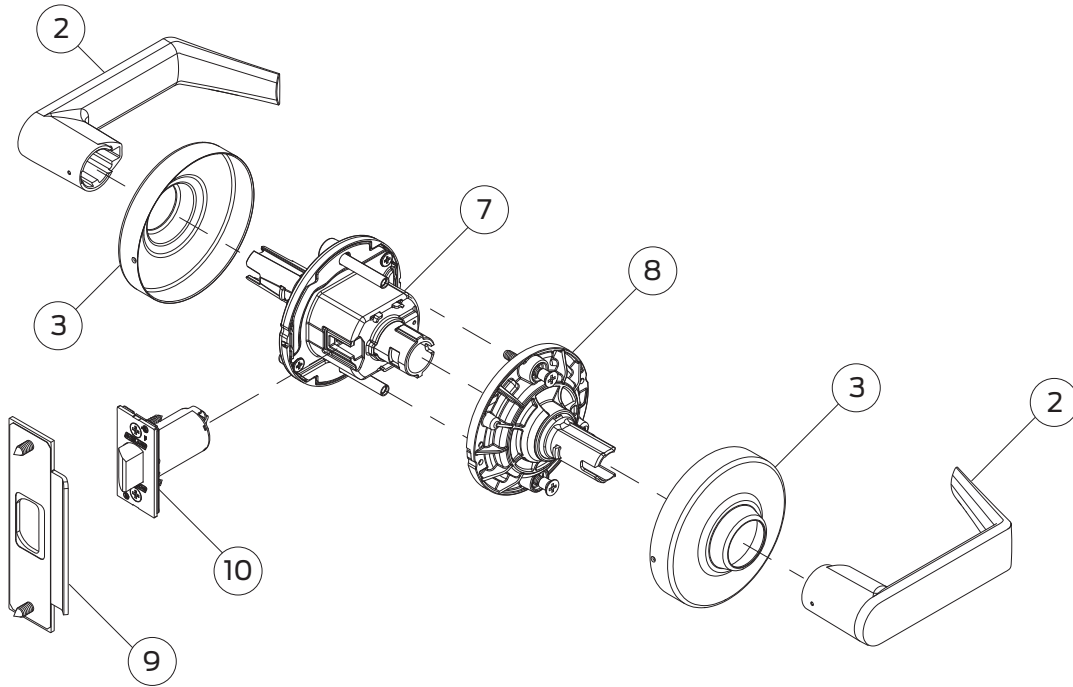
Trim Assemblies

- 8 Passage Latch Trim
- 9 Bath/Bedroom Privacy Lock Trim
- 10 Hospital Privacy Lock Trim
- 11 Entrance/Office Lock Trim
- 12 Entrance Lock Trim
- 13 Classroom Lock Trim
- 14 Storeroom Lock Trim
- 15 Single Dummy Trim
- 16 Double Dummy Trim

Trim Assemblies

Passage Latch Trim

PC10



No.	Description	Part no.
2	Closed lever (2)	03-230-RHO*
3	Rose (2)	03-042-RHO*
7	Chassis assembly	47267022

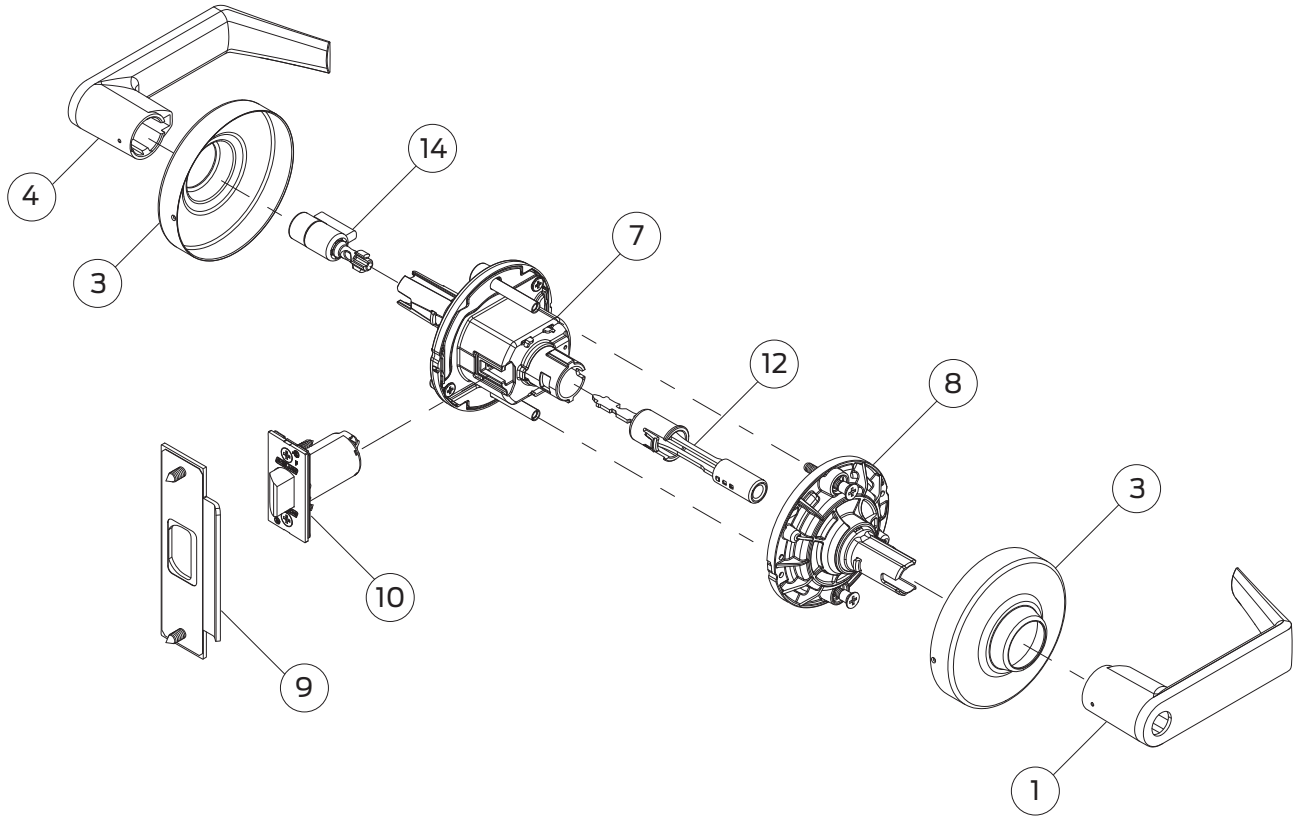
No.	Description	Part no.
8	Inside spring cage assembly with screws	48077941
9	Strike assembly, ANSI standard, no box	10-025*
10	Spring latch assembly, 2 3/4" backset (includes latch housing sleeve for 1" latch bore)	48239475*

* Specify finish.

Note: Rhodes lever part number shown. See pages 16 - 17 for lever information and a list of lever part numbers.

Bath/Bedroom Privacy Lock Trim

PC40



No.	Description	Part no.
1	Button lever	03-233-RHO*
3	Rose (2)	03-042-RHO*
4	Open/KIL lever	03-231-RHO*
7	Chassis assembly	48077941
8	Inside spring cage assembly with screws	47267025

No.	Description	Part no.
9	Strike assembly, ANSI standard, no box	10-025*
10	Spring latch assembly, 2¾" backset	48239475*
12	Interior push button assembly	47267030*
14	Exterior coin turn assembly	47267029*

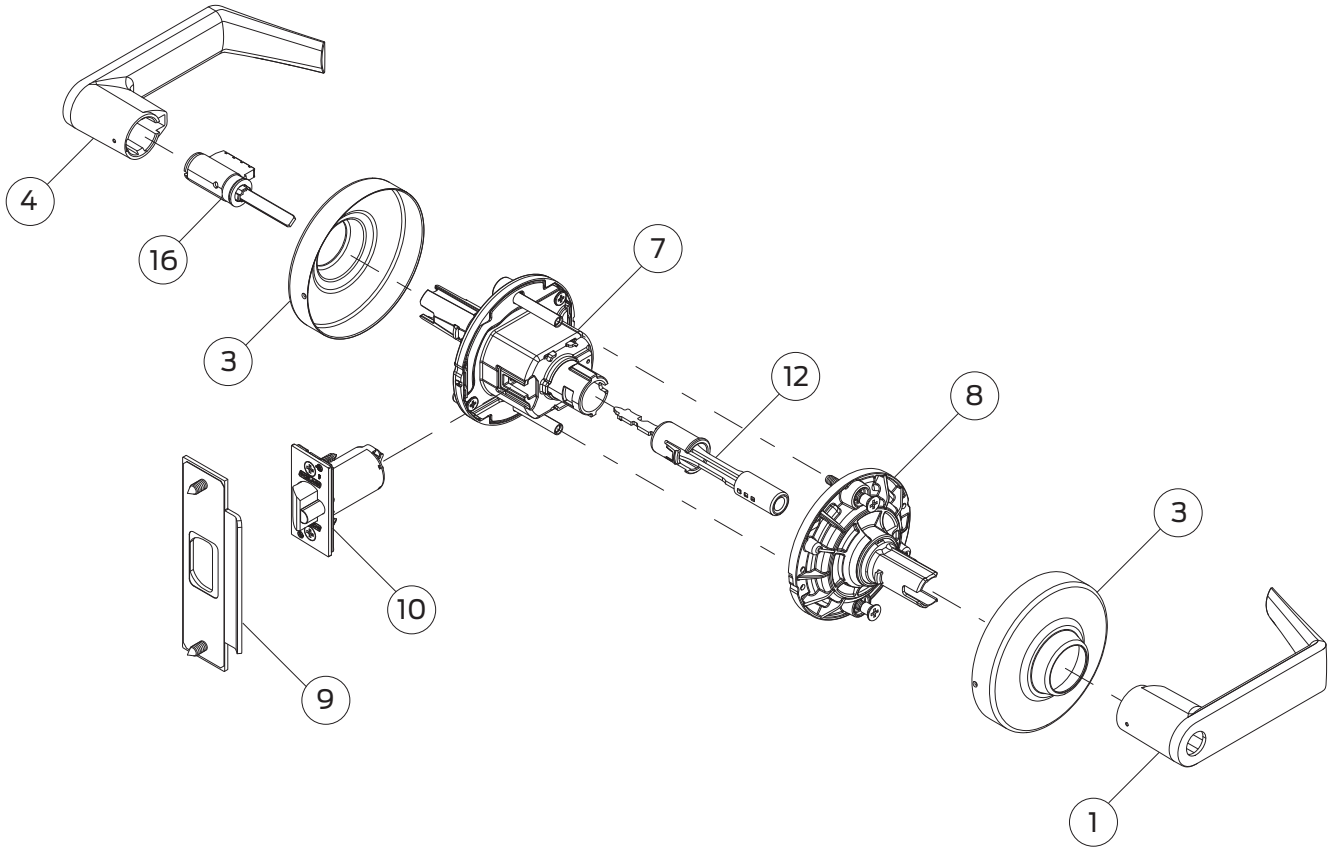
* Specify finish.

Note: Rhodes lever part number shown. See **pages 16 - 17** for lever information and a list of lever part numbers.

Trim Assemblies

Entrance/Office Lock Trim

PC50PD



No.	Description	Part no.
1	Button lever	03-233-RHO*
3	Rose (2)	03-042-RHO*
4	Open/KIL lever	03-231-RHO*
7	Chassis assembly	48077941
8	Inside spring cage assembly with screws	47267025

No.	Description	Part no.
9	Strike assembly, ANSI standard, no box	10-025*
10	Dead latch assembly, 2 3/4" backset	13-247*
12	Interior push button assembly	47267030*
16	Cylinder	21-020*

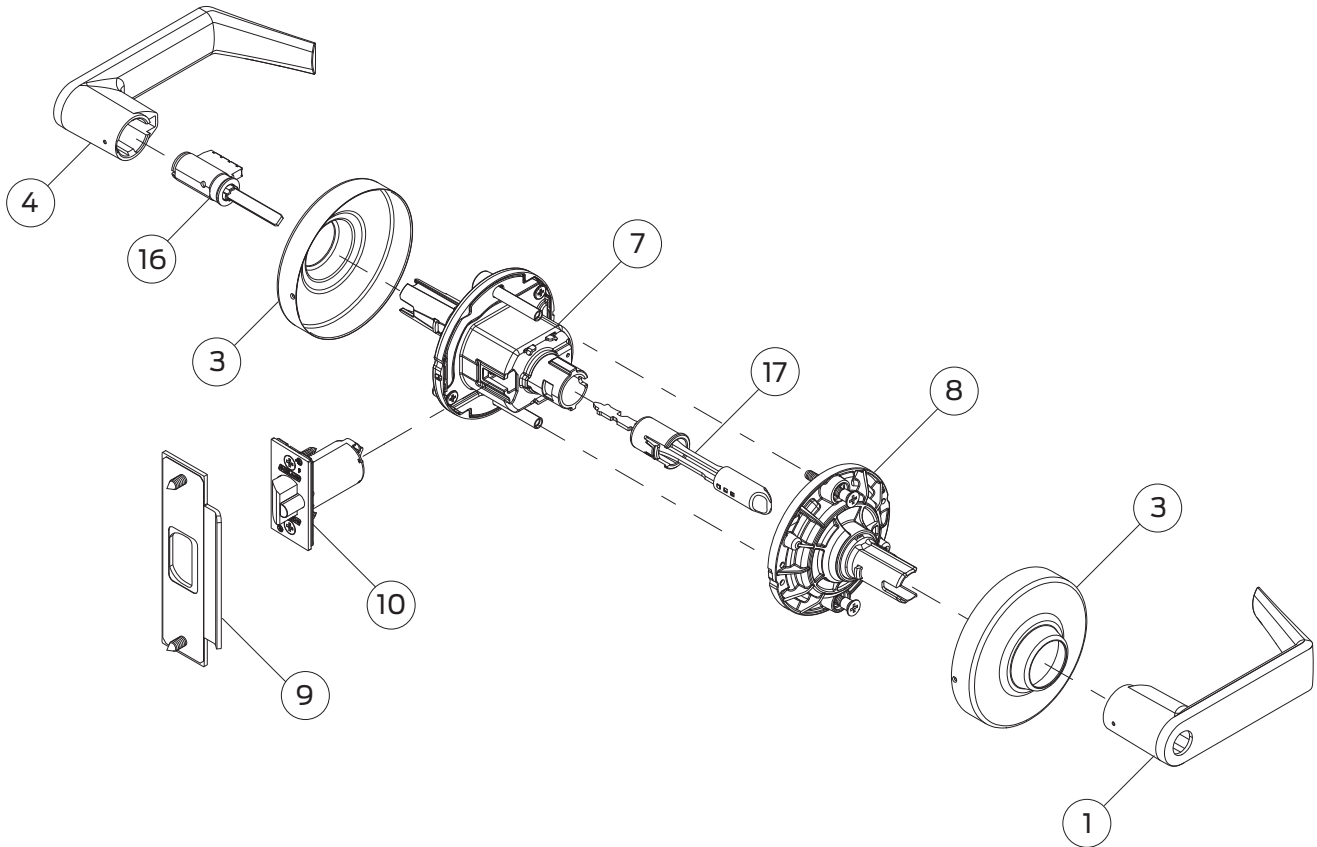
* Specify finish.

Note: Rhodes lever part number shown. See **pages 16 - 17** for lever information and a list of lever part numbers.

Trim Assemblies

Entrance Lock Trim

PC53PD



No.	Description	Part no.
1	Button lever	03-233-RHO*
3	Rose (2)	03-042-RHO*
4	Open/KIL lever	03-231-RHO*
7	Chassis assembly	48077941
8	Inside spring cage assembly with screws	47267025

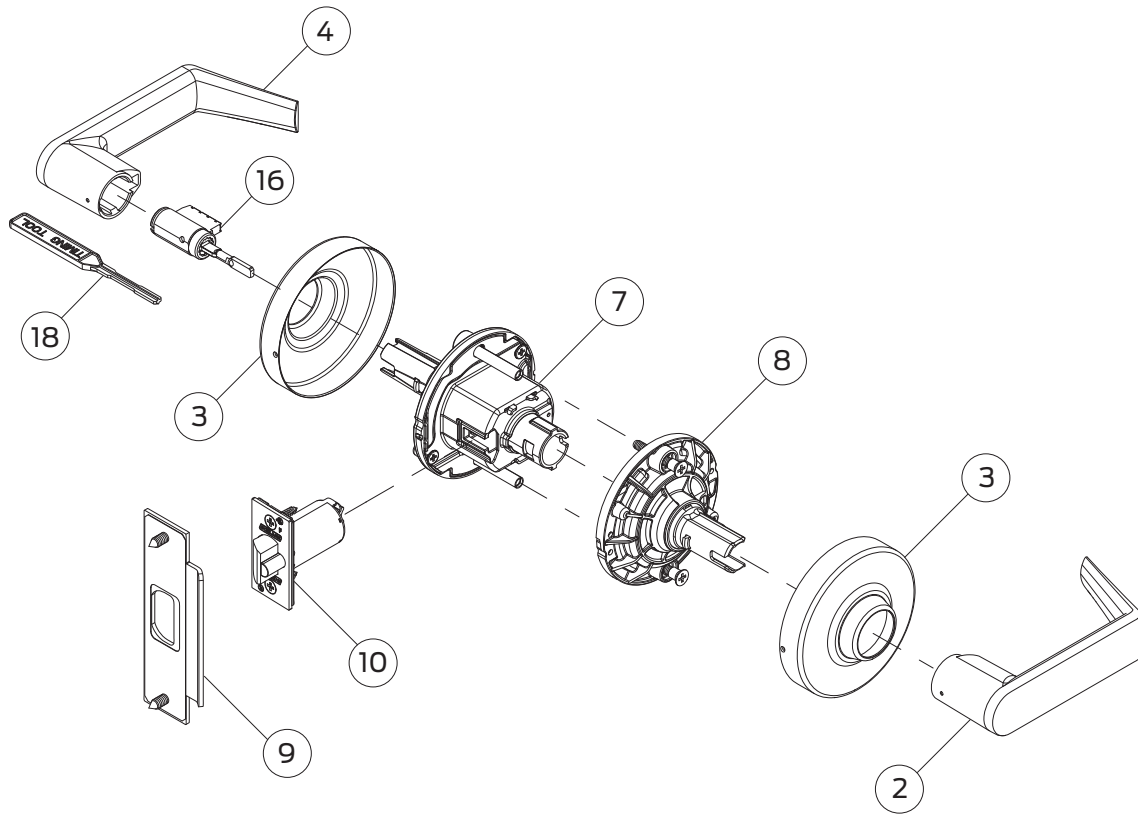
No.	Description	Part no.
9	Strike assembly, ANSI standard, no box	10-025*
10	Dead latch assembly, 2 3/4" backset	13-247*
16	Cylinder	21-020*
17	Interior push-turn button assembly	47267031*

* Specify finish.

Note: Rhodes lever part number shown. See **pages 16 - 17** for lever information and a list of lever part numbers.

Classroom Lock Trim

PC70PD



No.	Description	Part no.
2	Closed lever	03-230-RHO*
3	Rose (2)	03-042-RHO*
4	Open/KIL lever	03-231-RHO*
7	Chassis assembly	48077941
8	Inside spring cage assembly with screws	47267025

No.	Description	Part no.
9	Strike assembly, ANSI standard, no box	10-025*
10	Dead latch assembly, 2 3/4" backset	13-247*
16	Cylinder	23-195*
18	Timing tool	47272158

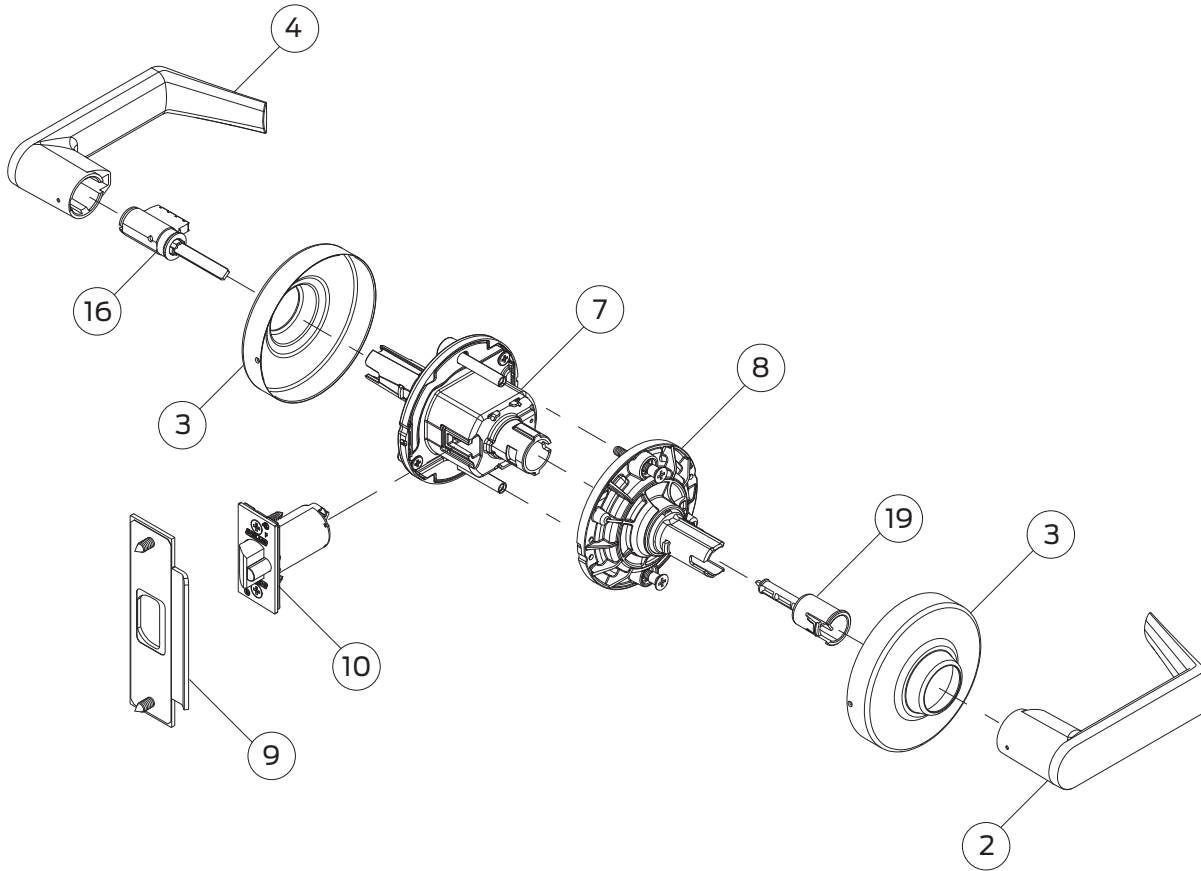
* Specify finish.

Note: Rhodes lever part number shown. See **pages 16 - 17** for lever information and a list of lever part numbers.

Trim Assemblies

Storeroom Lock Trim

PC80PD



No.	Description	Part no.
2	Closed lever	03-230-RHO*
3	Rose (2)	03-042-RHO*
4	Open/KIL lever	03-231-RHO*
7	Chassis assembly	48077941
8	Inside spring cage assembly with screws	47267025

No.	Description	Part no.
9	Strike assembly, ANSI standard, no box	10-025*
10	Dead latch assembly, 2 3/4" backset	13-247*
16	Cylinder	21-020*
19	Fixed plunger	47266454

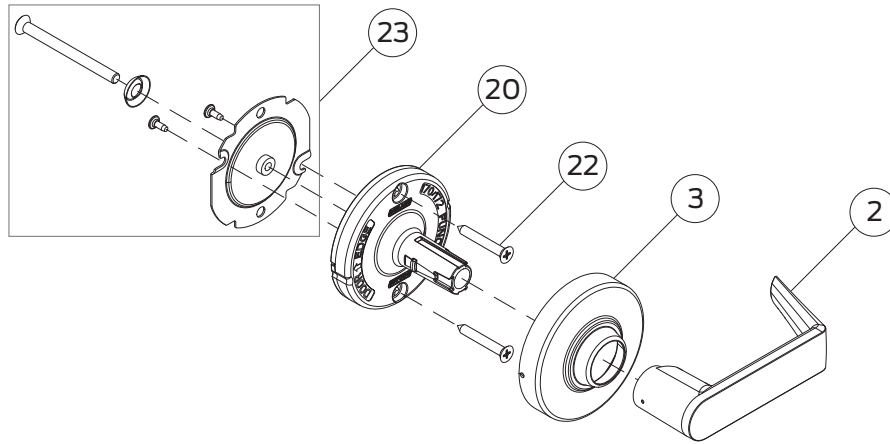
* Specify finish.

Note: Rhodes lever part number shown. See **pages 16 - 17** for lever information and a list of lever part numbers.

Trim Assemblies

Single Dummy Trim

PC170



No.	Description	Part no.
2	Closed lever	03-230-RHO*
3	Rose	03-042-RHO*
20	Chassis assembly, exterior dummy	47268754

No.	Description	Part no.
22	Mounting screw pack (2)	47269197
23	Through-door bolt kit, optional (626 finish only)	47262735**

* Specify finish.

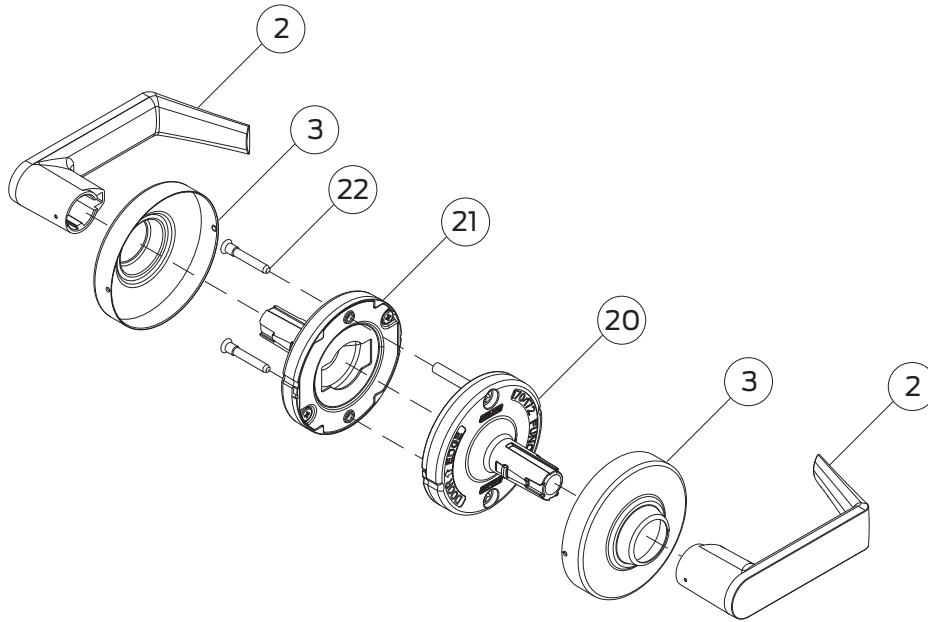
** Sold separately, not furnished with standard PC170 lock.

Note: Rhodes lever part number shown. See **pages 16 - 17** for lever information and a list of lever part numbers.

Trim Assemblies

Double Dummy Trim

PC172



No.	Description	Part no.
2	Closed lever (2)	03-230-RHO*
3	Rose (2)	03-042-RHO*
20	Chassis assembly, exterior dummy	47268755

No.	Description	Part no.
21	Chassis assembly, interior dummy	47268756
22	Mounting screw pack (2)	47269198

* Specify finish.

Note: Rhodes lever part number shown. See **pages 16 - 17** for lever information and a list of lever part numbers.

Levers

Levers are pressure cast zinc, plated to match finish specification. All levers are ADA Accessibility compliant. Boardwalk, Longitude, Omega, Rhodes, Saturn, Sparta, and Tubular lever designs meet California code for 2½" or less return to the door. Closed levers shown.

Athens ATH

Available with cores: KIL, FSIC, SFIC, L SAR, L CO6, J SAR, J CO6

Boardwalk BRK

Available with cores: KIL, FSIC, SFIC

Broadway BRW

Available with cores: KIL, FSIC, SFIC

Latitude LAT

Available with cores: KIL, FSIC, SFIC

Longitude LON

Available with cores: KIL, FSIC, SFIC

Rhodes RHO

Available with cores: KIL, FSIC, SFIC, L SAR, L CO6, J SAR, J CO6, J CO7

Sparta SPA

Available with cores: KIL, FSIC, SFIC, L SAR, L CO6, J SAR, J CO6

Tubular TLR

Available with cores: KIL, FSIC, SFIC, L SAR, L CO6, J SAR, J CO6

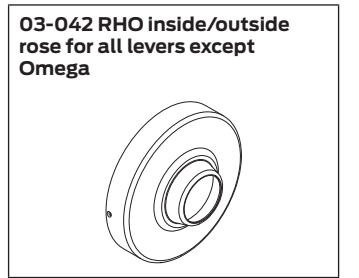
Levers

Lever type/design		Configured lock no.	Sold separate no.
Closed– CL	Athens	ATH	03-230-ATH
	Rhodes	RHO	03-230-RHO
	Sparta	SPA	03-230-SPA
	Tubular	TLR	03-230-TLR
	Broadway	BRW	47258043
	Boardwalk	BRK	47258044
	Latitude	LAT	47258045
	Longitude	LON	47258046
Button– BT	Athens	ATH	03-233 ATH
	Rhodes	RHO	03-233 RHO
	Sparta	SPA	03-233 SPA
	Tubular	TLR	03-233 TLR
	Broadway	BRW	47258055
	Boardwalk	BRK	47258056
	Latitude	LAT	47258057
	Longitude	LON	47258058
KIL/Open– P, Z, L	Athens	ATH	03-231-ATH
	Rhodes	RHO	03-231-RHO
	Sparta	SPA	03-231-SPA
	Tubular	TLR	03-231-TLR
	Broadway	BRW	47258047
	Boardwalk	BRK	47258048
	Latitude	LAT	47258049
	Longitude	LON	47258050

Lever type/ design		Configured lock no.	Sold separate no.
FSIC– R, J, T, M	Athens	ATH	03-232 ATH
	Rhodes	RHO	03-232 RHO
	Sparta	SPA	03-232 SPA
	Tubular	TLR	03-232 TLR
	Broadway	BRW	47258051
	Boardwalk	BRK	47258052
	Latitude	LAT	47258053
	Longitude	LON	47258054
SFIC– BDC, B, G, H	Athens	ATH	03-200 ATH
	Rhodes	RHO	03-200 RHO
	Sparta	SPA	03-200 SPA
	Tubular	TLR	03-200 TLR
	Broadway	BRW	47258039
	Boardwalk	BRK	47258040
	Latitude	LAT	47258041
	Longitude	LON	47258042

Roses

Roses are wrought brass, bronze, or zinc, plated to match finish specification. Standard rose diameter 3M\zn".



Specify finish.

Strikes

47267101, ANSI Prep. A115.2, standard, includes retained screws

Size: 1Z\w" x 4M\," x C\cx"

Lip length: 1C\zn"

If required, K510-066 strike box must be ordered separately.

Available in 605, 606, 612, 613, 619, 625, 626 finishes

10-013, Square corner T-strike, includes screw pack

Size: 1Z\," x 2 x C\cx" (or 1Z\X" x 2C\w" x C\cx")

Lip length: 1Z\," 1Z\X"

Includes strike box C603-623.

Available in 605, 606, 612, 613, 619, 625, 626 finishes

10-025, ANSI Prep. A115.2, includes screw pack

Size: 1Z\w" x 4M\," x C\cx"

Lip length: 1C\zn", 1C\," 1Z\X"

If required, K510-066 strike box must be ordered separately.

Available in 605, 606, 612, 613, 619, 625, 626 finishes

10-016, Square corner fire door T-strike, includes screw pack

Size: 1Z\," x 2C\w" x C\cx"

Lip length: 1Z\," 1Z\X"

Includes deep strike box B502-853 for C\w" fire latch.

Available in 605, 606, 612, 613, 619, 625, 626 finishes

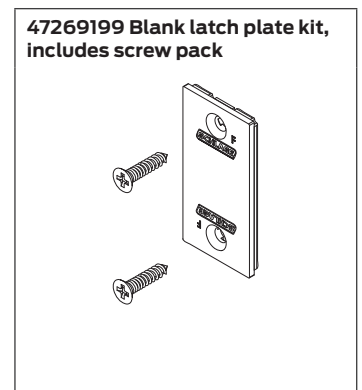
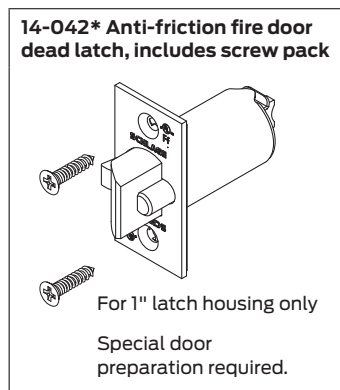
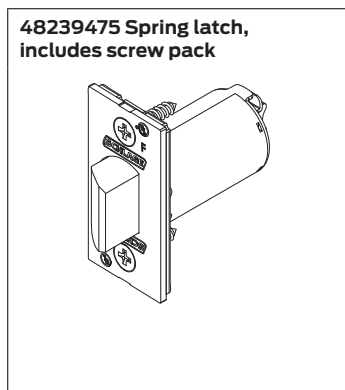
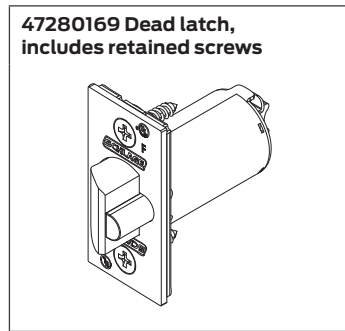
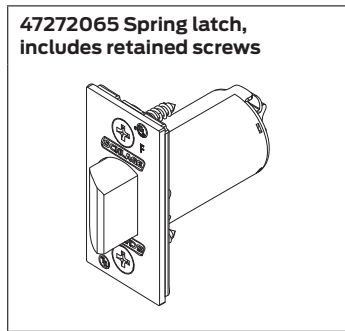
K510-066, ANSI Plastic strike box

Size: 1M\cx" x 4ZC\zn" x ZB\zn"

Latches

Latches

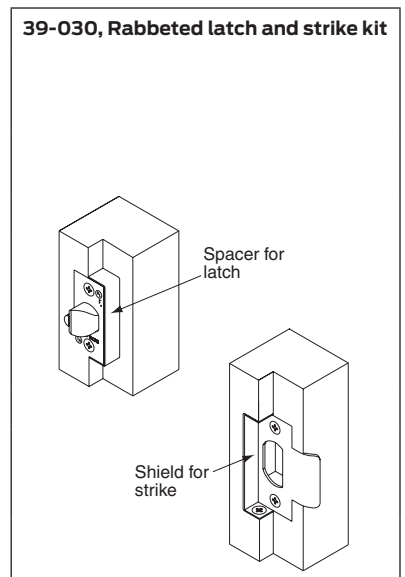
PC Series latches will accommodate 1" or M\," bore hole diameter unless otherwise stated.



Backset	Description	Spring latch part no.		Dead latch part no.	
		Configured lock no.	Sold separate no.	Configured lock no.	Sold separate no.
2¾"	Square corner, 1⅛" x 2¼", 1" housing diameter only, standard	47272065	48239475	47280169	13-247
2⅜" (Grade 2)	Square corner, 1⅛" x 2¼"	47267046	47273620	47267051	47273623
	Square corner, 1" x 2¼"	47267048	47273621	47267052	47273624
	Round corner, 1" x 2¼"	47267050	47273622	47267054	47273625
2¾" (Grade 2)	Square corner, 1⅛" x 2¼"	47267038	47273614	47267042	47273617
	Round corner, 1" x 2¼"	47267041	47273616	47267045	47273619
	Square corner, 1" x 2¼"	47267039	47273615	47267043	47273618
2¾"	Anti-friction fire door latch, square corner, 1⅛" x 2¼", ¾" throw, 1" housing diameter only	—		14-042*	
3¾"	Square corner, 1⅛" x 2¼", 1" housing diameter only	14-010**		14-028	

* Used for pairs of fire-rated doors.

** Non-restoring spring latch



Cylinder Options

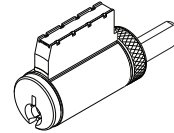
Cylinder Options

Standard Cylinders

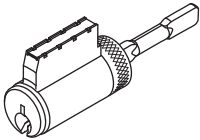
Specify keyway. Standard cylinders are available in Classic keyway or Everest SL keyway.

Cylinder Mechanism	Functions	Complete Cylinder	Tailpiece
Conventional, 6-pin, standard	50, 53, 80	21-020	A700-031
	70	23-195	47270197
SL Conventional, 7-pin	50, 53, 80	91-006	A700-031
	70	91-118	47270197

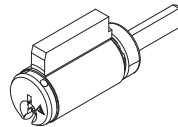
21-020, Conventional, 50, 53, 80 functions



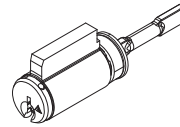
23-195, Conventional, 70 function



91-006, SL Conventional, 50, 53, 80 functions



91-118, Conventional, 70 function

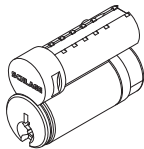


FSIC and SFIC Cylinders

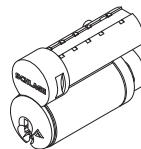
FSIC and SFIC cylinders are not available with Saturn lever design.

Cylinder Mechanism	Functions	Complete Cylinder	Tailpiece
FSIC, Conventional, 6-pin	50, 53, 80	23-030	N523-127
	70		47269168
FSIC, SL Conventional, 7-pin	50, 53, 80	91-161	N523-127
	70		47269168
SFIC 7-pin	50, 53, 80	80-037	N523-091
	70		47269620

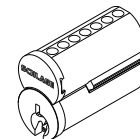
23-030, FSIC 6-pin



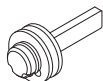
91-161, FSIC 7-pin



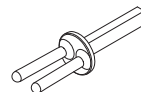
80-037, SFIC 7-pin



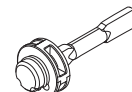
N523-127, FSIC, 50, 53, 80 functions



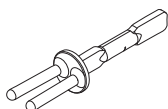
N523-091, SFIC, 50, 53, 80 functions



47269168, FSIC, 70 function



47269620, SFIC, 70 function



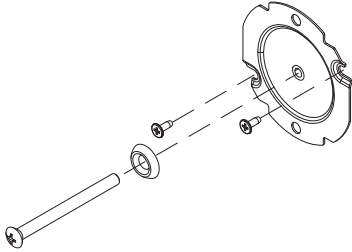
Fasteners

Fasteners

Screws and screw packs

Part no.	Description	Type	Size
47262735	PC170, through bolt kit Kit includes 1 each: dummy plate, 1/2" washer, 1/4-20 x 3" through bolt, and 2 each: #6-32 tri-point mounting screws		(See kit description)
47262999	PC170, surface mounting screw	PFH combo	#12-24 x 1 1/2"
C603-256*	ANSI strike screw	PFH combo	#12-24 X 1"
C603-897*	Latch and strike screw	PFH combo	#8-32 X 1 1/2"
47266670	Chassis through bolt; PC172 through bolt	PFH machine with thread patch	#10-32 x 1 1/2"
47266669	Chassis-to-outside spring cage screw; PC170 plate mounting screw	Tri-point Phillips shoulder screw	#6-32

47262735, PC170 through bolt kit



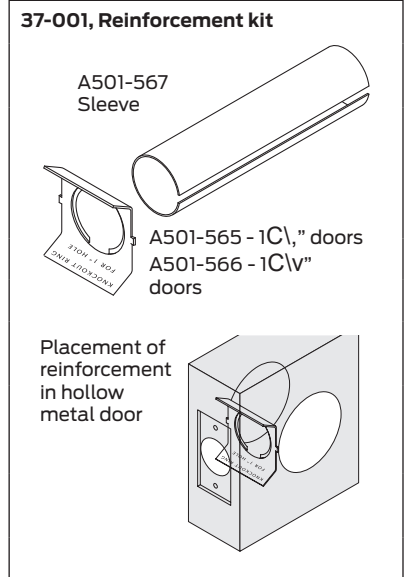
* Specify finish.

Screw packs, Torx®

Part no.	Description	Contents
C203-311	Latch and strike (includes tool)	(4) C503-766 (T-15)
C203-312	Latch and ANSI strike (includes tool)	(2) C503-766 (T-15) (2) L583-371 (T-20)

Reinforcements and adapters

Part no.	Description
43-005	5" backset extension link for use with 2C\'' backset latches only; requires reinforcement when used with hollow metal door
37-001	Steel door reinforcement kit, fits both M\,' and 1" housing diameter. Used to reinforce and prevent the collapse of hollow metal doors when locksets are mounted. This kit should be used in hollow metal doors to prevent lateral movement of the latch bolt. Kit includes reinforcement (A501-565 or A501-566), and sleeve (A501-567). Sleeve is included for long backset installations. Specify door thickness.
A501-565	1C\,' thick hollow steel door reinforcement. Fits both M\,' and 1" housing diameter.
A501-566	1C\'' thick hollow steel door reinforcement. Fits both M\,' and 1" housing diameter.
A501-567	3Z\'' long latch housing reinforcement sleeve. Used to reinforce joint between latch and backset link, or to hold latch in hollow metal doors.
39-030	Rabbeted latch and strike kit (605 and 626 finish only). Use to adapt square corner latch and 2C\'' high square corner strike to Z\'' rabbeted door and frame preparation.
24483760	1C\'' thick hollow steel/aluminum door reinforcement fits 1" housing diameter. For use in unreinforced hollow metal doors.
47269199	Blank latch plate kit. Specify finish.



Finishes

Finishes

Schlage PC Series lock products are available in a range of durable, top-quality finishes. Most are available with a clear coating that protects against damaging environmental factors, including sea air, high humidity, or corrosive vapors.

Finishes are coded according to the Builders Hardware Manufacturers Association (BHMA). The nearest old U.S. equivalent code designations are shown in parentheses.

Code		Description
613	(US 10B)	Oil rubbed bronze
619	(US 15)	Satin nickel
622	(US 19)	Matte black

Code		Description
625	(US 26)	Bright chromium plated
626	(US 26D)	Satin chromium plated
643e	(US 11)	Aged bronze

Ordering procedures

Ordering procedures

To order Schlage products, descriptive data should be in the same sequence as shown below.

Shaded items default to factory standard if not specified.

Line item	Qty	Brand	Product number			Outside trim		Inside trim		Latch	Strike	Dr Thk	Ext	Keyway	Hand	Other
			Series	Func	Cyl	Des	Fin	Des	Fin							
1	2	3	4	5	6	7	8	7	8	9	10	11	12	13	14	15

1	Line Item:	Line item number
2	Qty:	Quantity
3	Brand:	Product brand (Schlage = SCH)
4	Series:	Product series
5	Function:	Lock function
6	Cyl:	Cylinder suffix
7	Outside Des:	Outside lever design
8	Outside Fin:	Outside lever finish
7	Inside Des:	Inside lever design
8	Inside Fin:	Inside lever finish
9	Latch:	Latch part number
10	Strike:	Strike part number
11	Dr Thk:	Door thickness dimension (not applicable for PC locks)
12	Ext:	Extension (not applicable for PC locks)
13	Keyway:	Cylinder keyway
14	Hand:	Door handing (not applicable for PC locks)
15	Other:	Other specifications, for example: competitive keyway cylinder, master keying requirements, etc.

Example: Quantity 10, PC53 locks with conventional 6-pin cylinder, Rhodes lever design, matte black (622) finish, standard latch and strike.

Line item	Qty	Brand	Product number			Outside trim		Inside trim		Latch	Strike	Dr Thk	Ext	Keyway	Hand	Other
			Series	Func	Cyl	Des	Fin	Des	Fin							
1	10	SCH	PC	53	P	RHO	622									

About Allegion

Allegion (NYSE: ALLE) is a global pioneer in seamless access, with leading brands like CISA®, Interflex®, LCN®, Schlage®, SimonsVoss® and Von Duprin®. Focusing on security around the door and adjacent areas, Allegion secures people and assets with a range of solutions for homes, businesses, schools and institutions.

For more, visit www.allegion.com.

